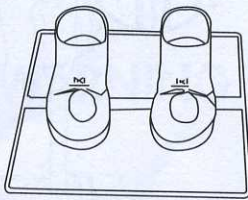


ANIMATED FIGURE INSTRUCTIONS

Congratulations! You are the proud owner of a Gemmy animated figure. Please read over the directions carefully before using your new figure.

Please keep these instructions for future reference because they contain important information.



A X 1



B X 1



C X 1



D X 6



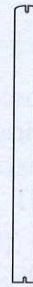
E X 1



F X 1



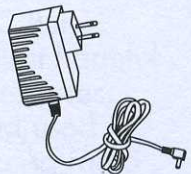
G X 4



H¹ X 2



H² X 2



I X 1

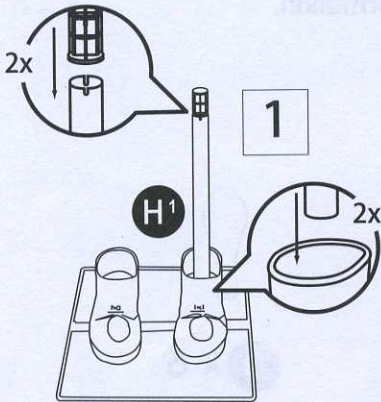
PACKAGE CONTENTS

A. Base with Boots	1 piece
B. Head	1 piece
C. Torso with costume, arms and one hand	1 piece
D. Balloon	6 pieces
E. Balloon stick	1 piece
F. Hand	1 piece
G. Connector Joints	4 pieces
H. Poles	4 pieces
I. DC Adapter	1 piece

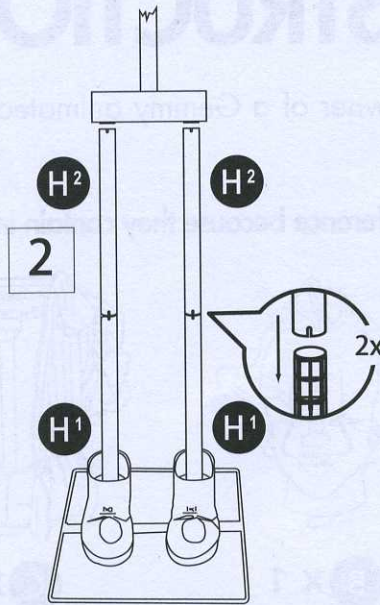
PREPARATION

Before beginning assembly, remove all parts from carton. Compare parts list and diagram above. If any part is missing or damaged, do not attempt to assemble or use the product. Contact customer service for more information.

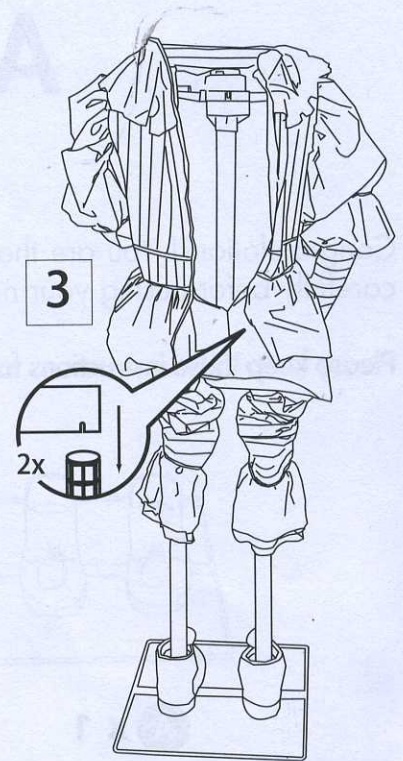
ASSEMBLY INSTRUCTIONS



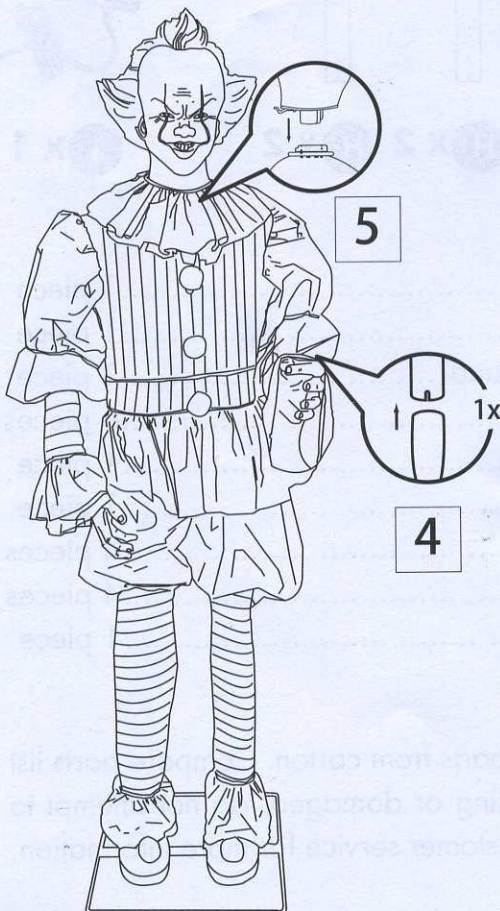
1. Set base with boots on clear, flat and stable surface.



2. Place one pole(H¹) in the connection point located inside the boot and repeat with the second pole and boot. Attach connectors to the top of each pole and place the additional pole(H²) on top.



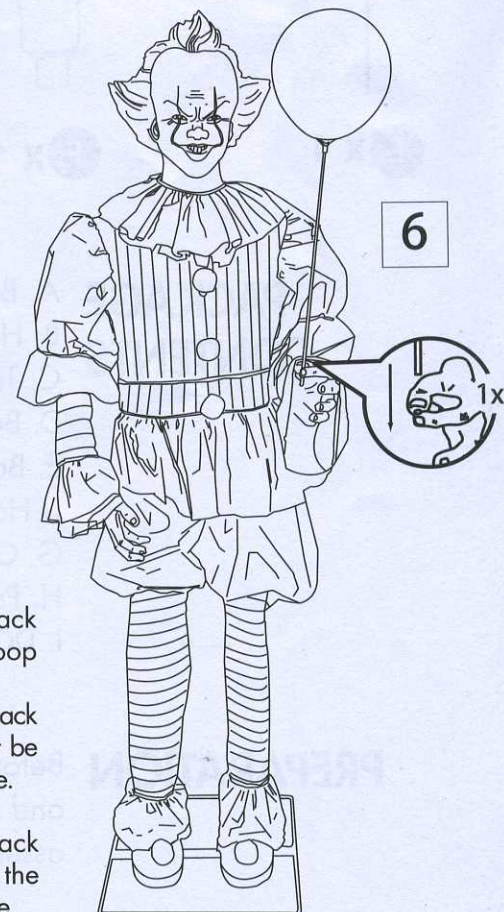
3. Lift the torso with costume and slide the pant legs over each leg pole. Set the torso base on top of the leg poles for a snug fit.



4. Take the left hand and insert it into the left arm.

5. Attach the head on top of the torso.

6. Fill balloon with air (pump not included) and attach it to the balloon stick. Place balloon stick inside finger slot and position height as desired.

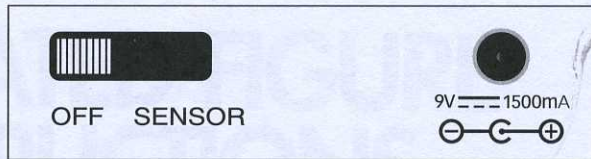


7. The Adapter port is located on the back of the figure. Open the hook and loop on the back to expose this port.

Adapter: Plug adapter into port on the back of the figure and into outlet. Figure must be plugged in to an outlet in order to operate.

8. Sensor/Off Switch is located on the back of the figure. In "Sensor" position, the motion and sound sensor will operate.

FIGURE FUNCTIONALITY



STORAGE

Do not discard box as it should be used for storage. Return all parts to the original packaging, if possible. Store in a cool, dry location.

TROUBLE SHOOTING

If you have assembled the Animated Figure according to the instructions, but the head does not function properly, the problem could be:

- The item is not securely plugged into a functioning wall outlet or extension cord
- The outlet or extension cord the unit is plugged into has no power
- The head may not be firmly attached; remove head and then reattach

WARNING

This device complies with Part 15 of the FCC Rules. Operation is subject to the following two conditions: (1) this device may not cause harmful interference, and (2) this device must accept any interference received, including interference that may cause undesired operation.

CAUTION: Changes or modifications not expressly approved by the party responsible for compliance could void the user's authority to operate the equipment.

NOTE: This equipment has been tested and found to comply with the limits for a Class B digital device, pursuant to Part 15 of the FCC Rules. These limits are designed to provide reasonable protection against harmful interference in a residential installation. This equipment generates, uses, and can radiate radio frequency energy and, if not installed and used in accordance with the instructions, may cause harmful interference to radio communications. However, there is no guarantee that interference will not occur in a particular installation. If this equipment does cause harmful interference to radio or television reception, which can be determined by turning the equipment off and on, the user is encouraged to try to correct the interference by one or more of the following measures:

- Reorient or relocate the receiving antenna.
- Increase the distance between the equipment and receiver.
- Connect the equipment into an outlet on a circuit different from that to which the receiver is connected.
- Consult the dealer or an experienced radio/TV technician for help.

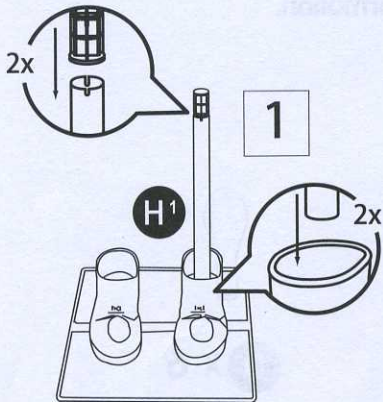
For indoor use only.

This item is not a toy and should be used for decorative purposes only.

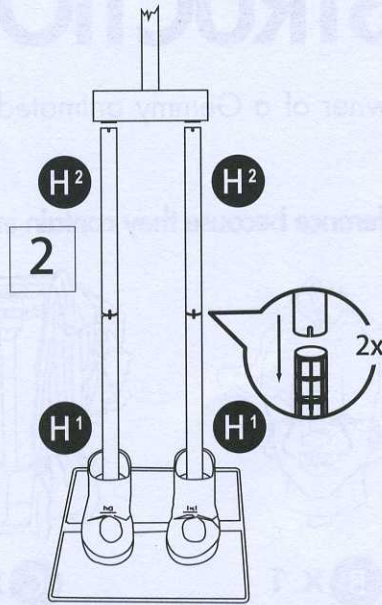


Visit WWW.GEMMY.COM for more information.
©2019 GEMMY INDUSTRIES CORP.
117 WRANGLER DRIVE, SUITE 100
COPPELL, TX 75019 U.S.A.
1 (877) 250-9032
MADE IN CHINA / PRINTED IN CHINA

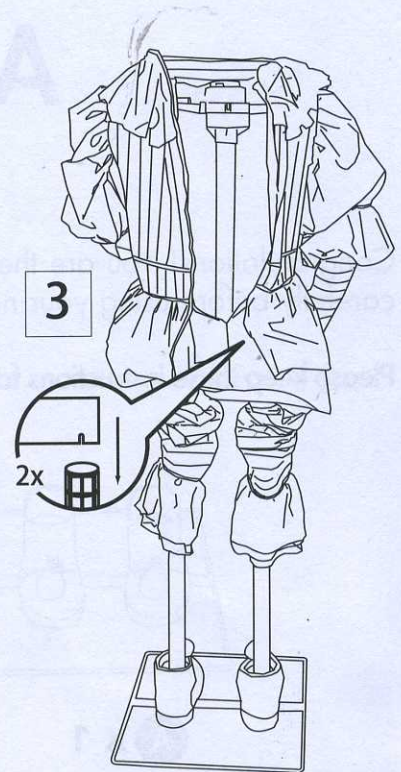
ASSEMBLY INSTRUCTIONS



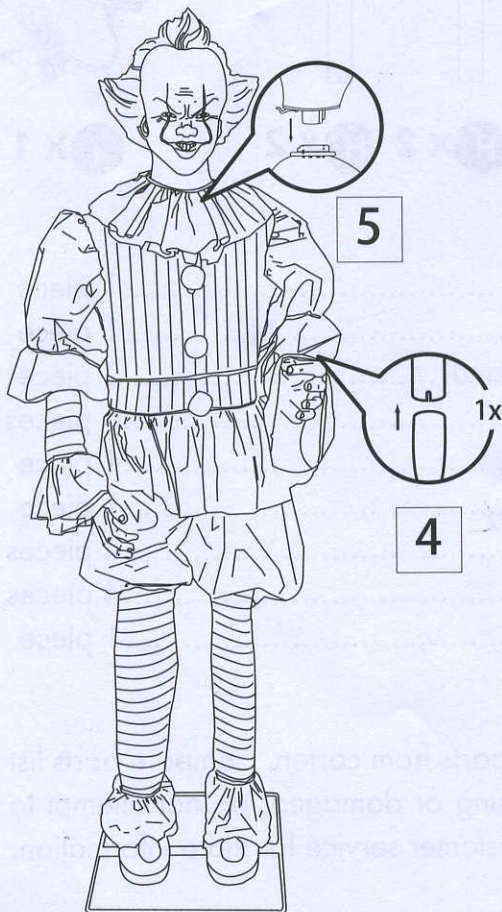
1. Set base with boots on clear, flat and stable surface.



2. Place one pole(H¹) in the connection point located inside the boot and repeat with the second pole and boot. Attach connectors to the top of each pole and place the additional pole(H²) on top.



3. Lift the torso with costume and slide the pant legs over each leg pole. Set the torso base on top of the leg poles for a snug fit.



4. Take the left hand and insert it into the left arm.

5. Attach the head on top of the torso.

6. Fill balloon with air (pump not included) and attach it to the balloon stick. Place balloon stick inside finger slot and position height as desired.



7. The Adapter port is located on the back of the figure. Open the hook and loop on the back to expose this port. Adapter: Plug adapter into port on the back of the figure and into outlet. Figure must be plugged in to an outlet in order to operate.

8. Sensor/Off Switch is located on the back of the figure. In "Sensor" position, the motion and sound sensor will operate.