

# EASY ASSEMBLY AND OPERATION INSTRUCTIONS

MR-127084 Towering Wailing Soul



**Please follow the step by step guide and enjoy your Towering Wailing Soul!**

## CARE AND STORAGE INSTRUCTIONS

For best performance operate your item indoors. When not in use, store this product in its original packing. Keep away from heat and moisture.

## WARNING

This item is not a toy and should be used for decoration only. This item contains small parts that can be a choking hazard. Keep all plastic and wire parts away from children.

1. Please use the adapter supplied by manufacturer.
2. Please assemble item according to instructions. Connect all wires according to matching color.
3. Children should be supervised by adults. Item should not be grabbed, as it becomes a tipping hazard. Keep all away from the adapter, as it heats up during operation.

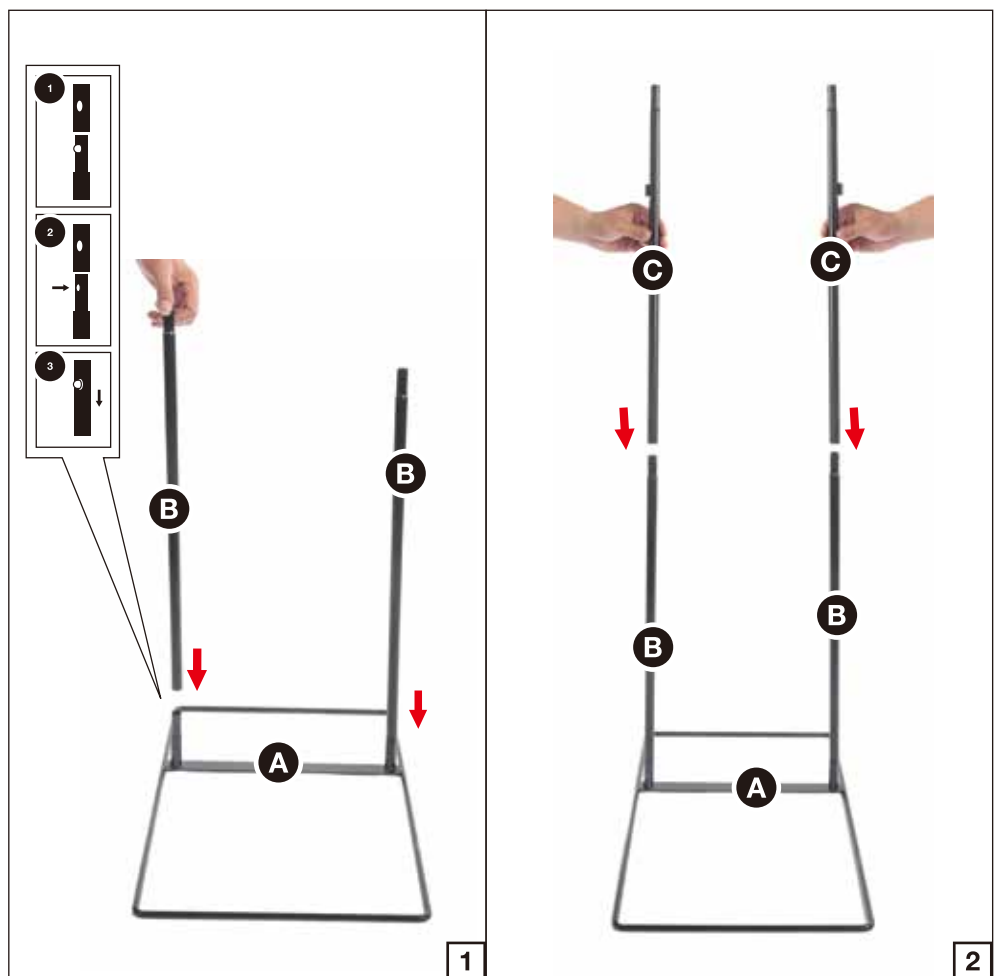
Please read all instructions carefully before assembling. Save this instruction sheet for future reference.

## PARTS LIST

- A. Base x 1
  - B. Lower Support Poles x 2
  - C. Upper Support Poles x 2
  - D. Hip Hoop x 1
  - E. Torso Frame x 1
  - F. Shoulder Frame x 1
  - G. Hooded Robe x 1
  - H. Chest x 1
  - I. Head x 1
  - J. Right Arm x 1
  - K. Left Arm x 1
  - L. Cloak x 1
  - M. Step Pad x 1
  - N. Adapter (Included) x 1
- Input: 100 - 240VAC 50/60Hz  
Output: 5.9V 3.0A



**BEFORE ASSEMBLING, REMOVE ALL THE ABOVE PARTS FROM BOX. IF ANY PART IS MISSING, PLEASE CONTACT CUSTOMER SERVICE AT SUPPORT@MORRISCOSTUMES.COM, OR BY PHONE 704-332-3304. IN YOUR EMAIL INQUIRY, PLEASE INCLUDE: YOUR ORDER NUMBER, WHO YOU BOUGHT IT FROM, AND WHAT SPECIFICALLY IS WRONG. THANK YOU.**

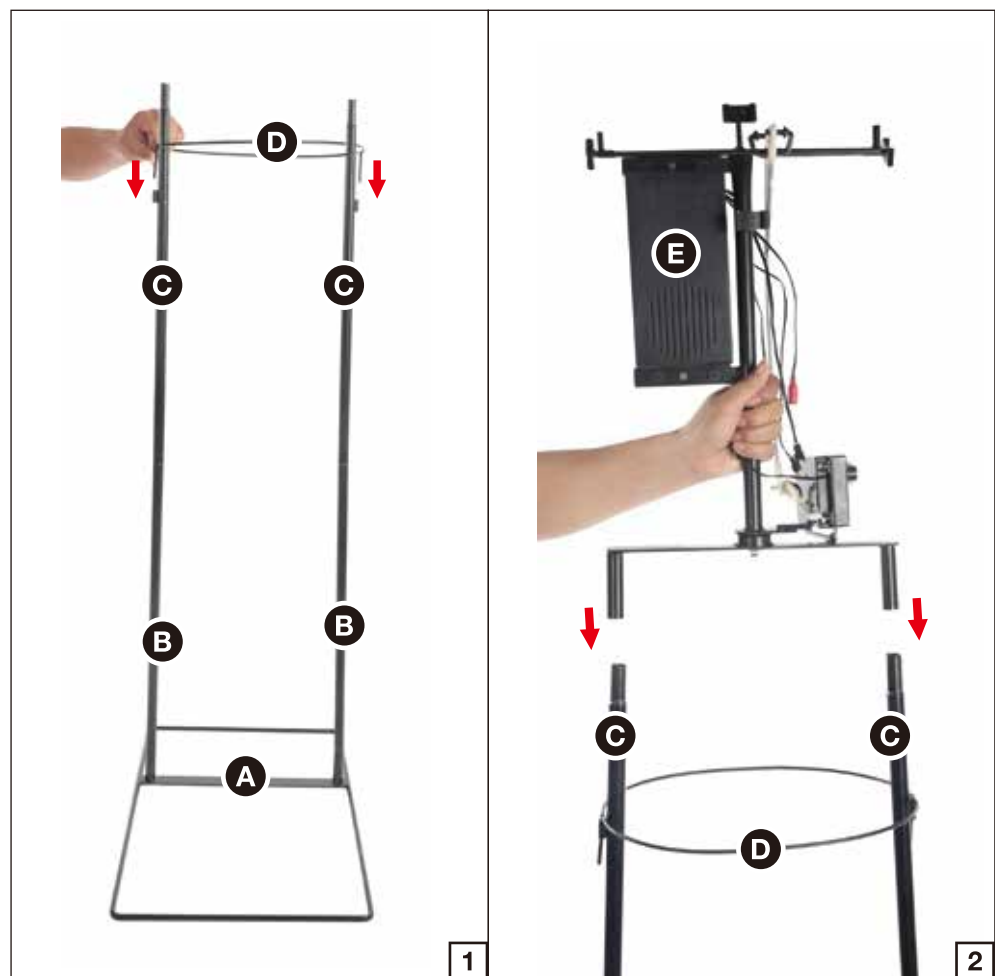


### STEP 1

NOTE: The longer end of the (A) Base goes towards the front. Attach the (B) Lower Support Poles to the (A) Base as shown and secure by aligning the quick-connect push button into the pre-drilled holes as shown in Figure 1.

Assemble the (C) Upper Support Poles to the (B) Lower Support Poles as shown in Figure 2.

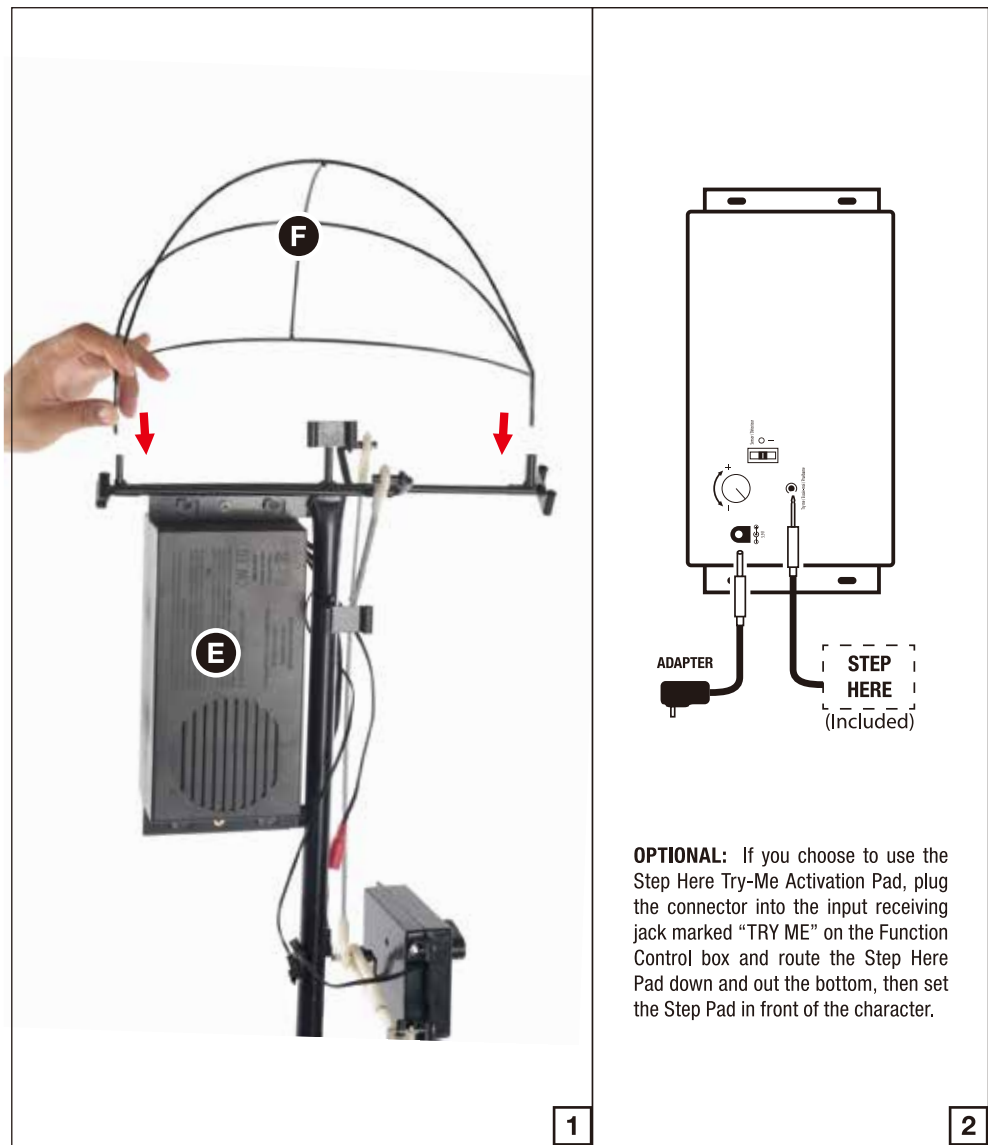
Note: Slots located on the outside of the (C) Upper Support Poles.



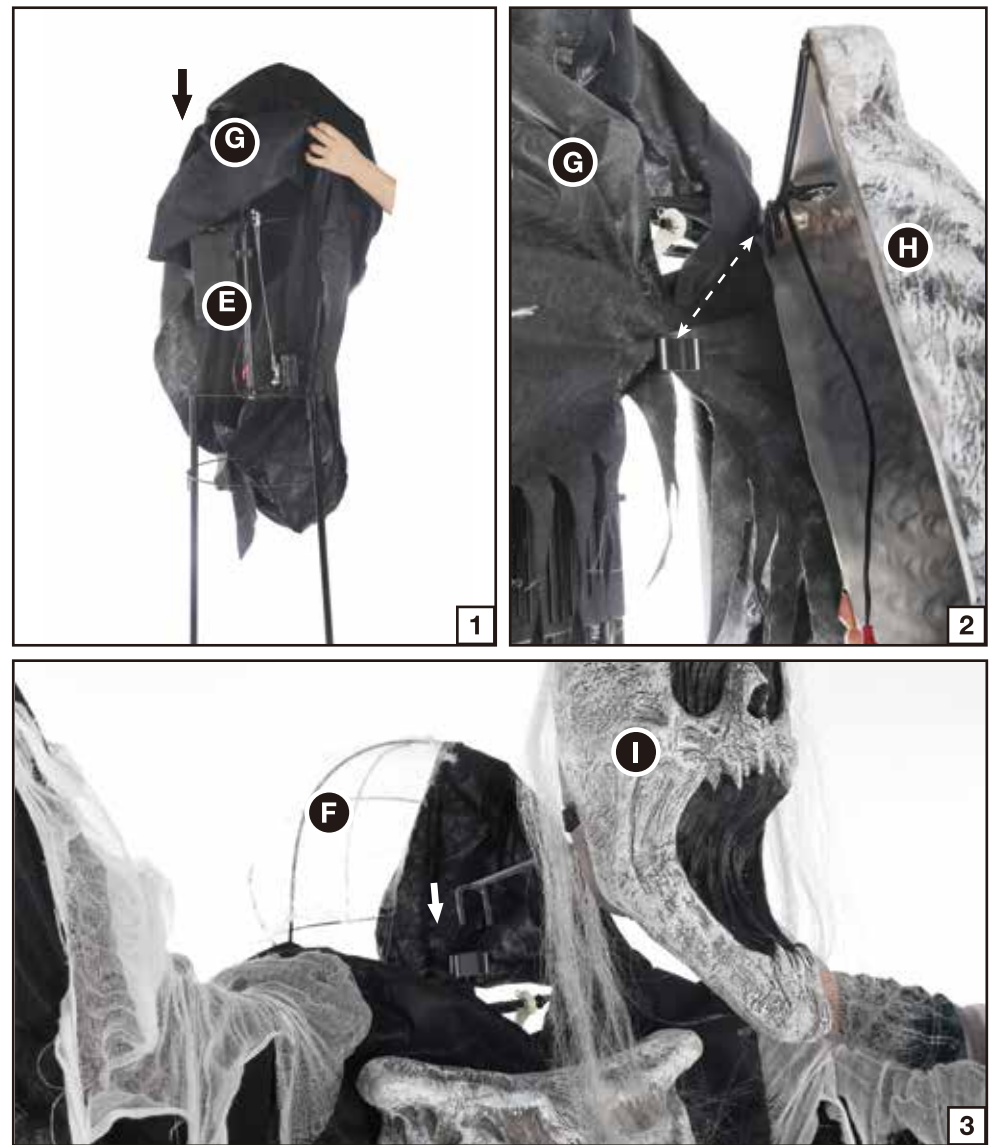
### STEP 2

Lower the (D) Hip Hoop down over the (C) Upper Support Poles and attach through the slots located on the sides of the (C) Upper Support Poles as shown in Figure 1.

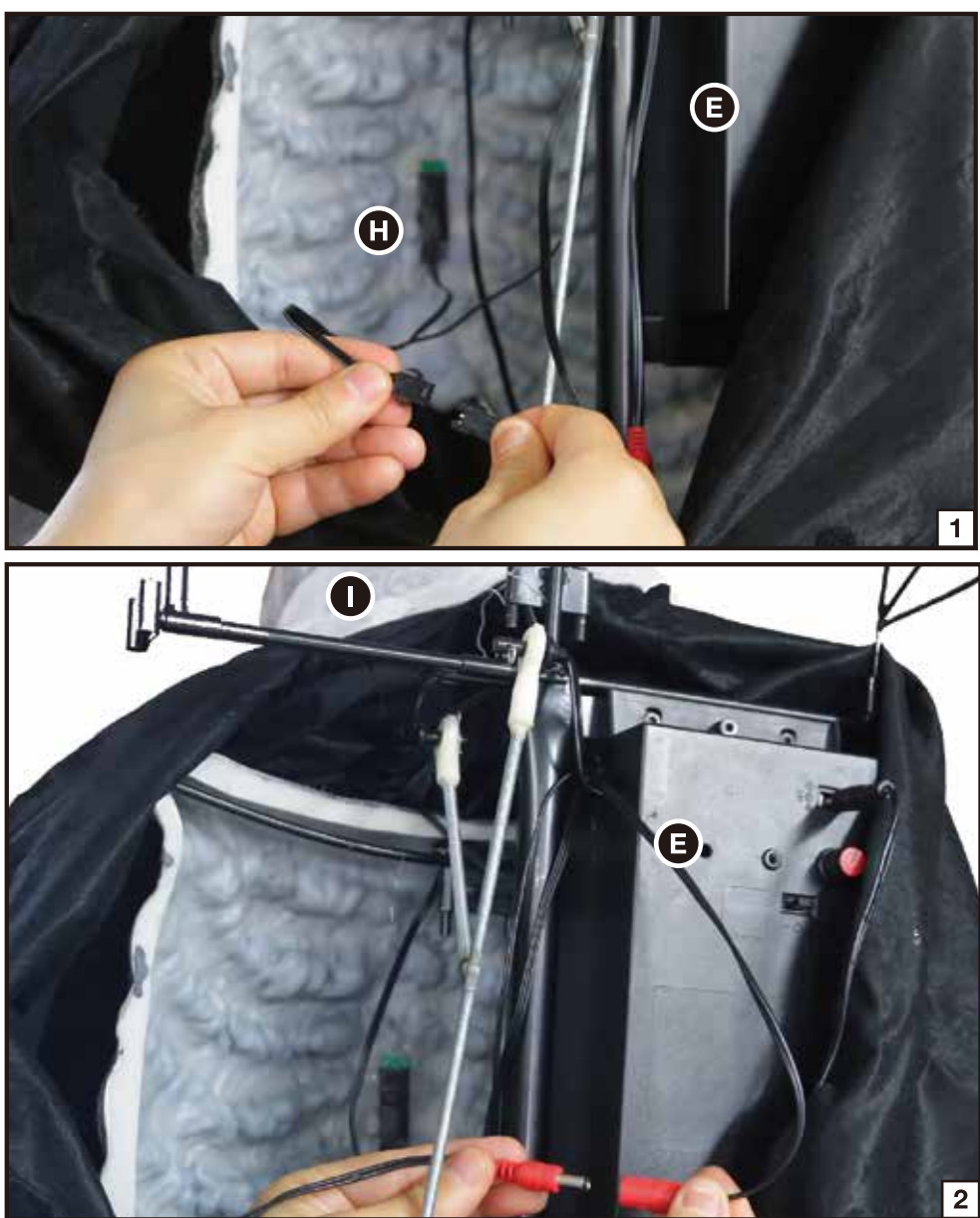
Assemble the (E) Torso Frame onto the (C) Upper Support Poles as shown in Figure 2, and secure by aligning the quick-connect push buttons into the pre-drilled holes.



**STEP 3**  
 Attach the (F) Shoulder Frame into the slots located on the top of the (E) Torso Frame as shown. Now, plug the Adapter into the input receiving jack marked "DC 5.9V" on the Function Control Box. Note: Do not plug the Adapter into power outlet until item assembly is completed.



**STEP 4**  
 Lower the (G) Hooded Robe down over the (F) Shoulder Support and the (E) Torso Frame as shown in Figure 1. Slide the (H) Chest into the slots located on the (E) Torso Frame as shown in Figure 2. Set the (I) Head onto (E) Torso Frame by sliding the forked hook into the "neck" slot housing on the (E) Torso Frame as shown in Figure 3.

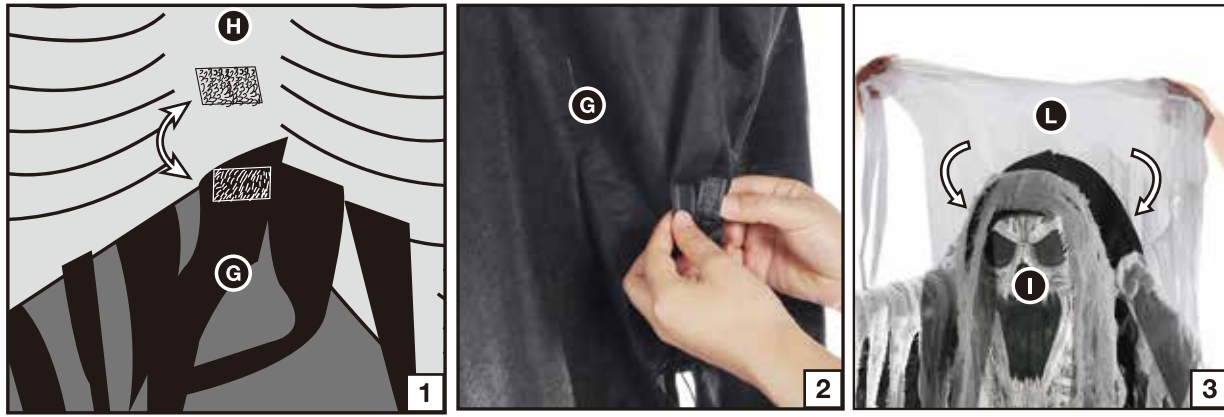


**STEP 5**  
 Connect the cable from the (H) Chest to the color-coordinated cables on the Function Control box located on the (E) Torso Frame as shown in Figure 1. Connect the cable from the (I) Head to the color-coordinated cables on the Function Control box located on the (E) Torso Frame as shown in Figure 2.



**STEP 6**  
 Slide the (J) Right Arm up through the right sleeve and slide the forked-hook into the right "shoulder" slot housing on the (E) Torso Frame as shown in Figure 1. Slide the (K) Left Arm up through the left sleeve and slide the forked-hook into the left "shoulder" slot housing on the (E) Torso Frame as shown in Figure 3. Now, locate the hook & loop closures at the inside of both sleeves of the (G) Hooded Robe and secure to the hook & loop closures at both wrists as shown in Figure 2 & 4. Cover the hood of the (G) Hooded Robe on the (I) Head as shown in Figure 5.





**STEP 7**

Secure the (H) Chest and the (G) Hooded Robe with the hook & loop closures as shown in Figure 1.  
 Secure the back of (G) Hooded Robe with the hook & loop closures as shown in Figure 2.  
 Set the (L) Cloak on to the shoulders of the wailing soul as shown in Figure 3.

**OPERATION INSTRUCTIONS:**

1. Plug the adapter into a standard power outlet and adjust the settings on the Function Control Box, located on the (E) Torso Frame, as desired.

2. Settings:

**Sensor:** This switch mode will activate lights, sound, and animation when the Infra-red (IR) sensor is activated and will operate for 1 audio-cycle with each activation. The Infra-red (IR) sensor has a range of up to 2 m/6.5 ft. and will activate when someone comes within an 80-degree angle from left-to-right, as well as from above and below.

**○/OFF/Try Me:** This switch mode allows the item to be activated only if triggered by using a Step Here Try Me Activation Pad. The item will operate for one audio cycle with each Try Me activation. Refer to Assembly Instructions Step3 for further details.

**I / ON :** This switch mode will continually operate the lights, sound, and animation of the item.

**⊖ ⊕ :** Raise or lower the volume using the volume control turn dial, turn all the way down to turn the volume off.

This device complies with Part 15 of the FCC Rules. Operation is subject to the following two conditions: (1) This device may not cause harmful interference, and (2) this device must accept any interference received, including interference that may cause undesired operation.

**CAUTION:** Changes or modifications not expressly approved by the party responsible for compliance could void the user's authority to operate the equipment.

**NOTE:** This equipment has been tested and found to comply with the limits for a Class B digital device, pursuant to Part 15 of the FCC Rules. These limits are designed to provide reasonable protection against harmful interference in a residential installation. This equipment generates, uses and can radiate radio frequency energy and, if not installed and used in accordance with the instructions, may cause harmful interference to radio communications. However, there is no guarantee that interference will not occur in a particular installation. If this equipment does cause harmful interference to radio or television reception, which can be determined by turning the equipment off and on, the user is encouraged to try to correct the interference by one or more of the following measures: Reorient or relocate the receiving antenna, Increase the separation between the equipment and receiver, Connect the equipment into an outlet on a circuit different from that to which the receiver is connected. Consult the dealer or experienced radio/TV technician for help.

