

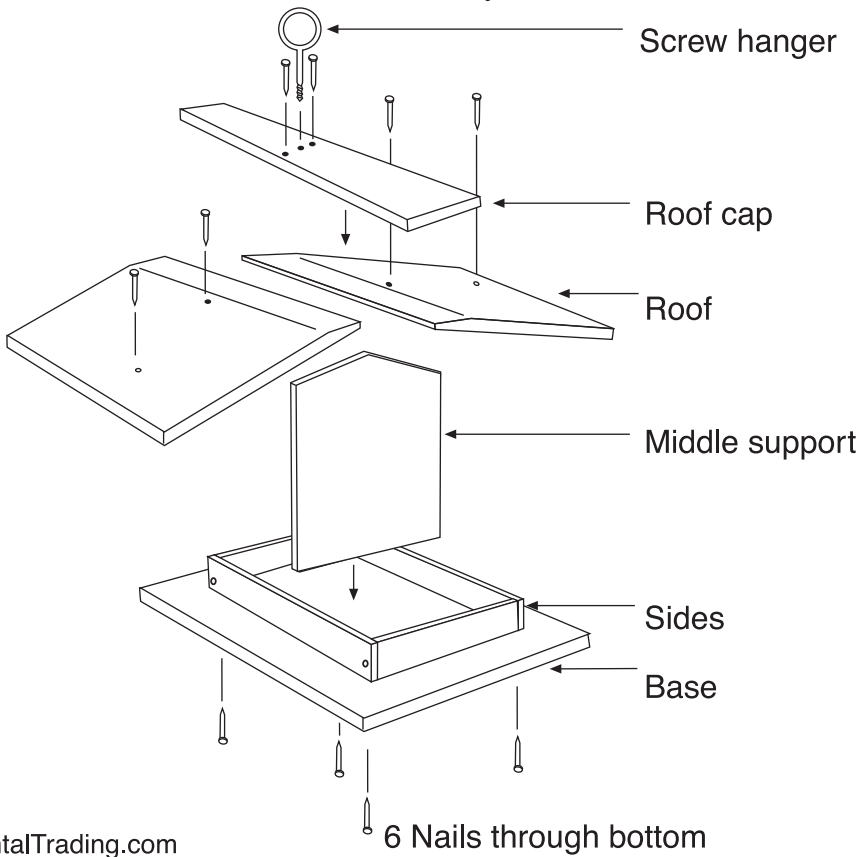
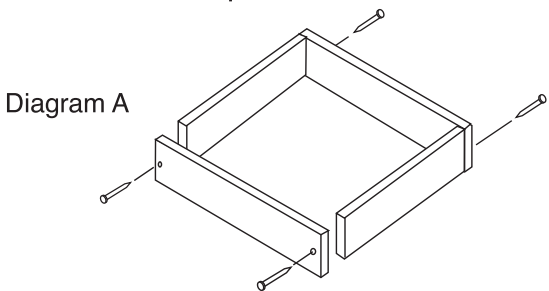


**48/9500 Birdfeeder**

Nail or glue (using wood glue, not included) together on work surface under adult supervision.

- 1. Assemble four sides that hold birdfeeder together as in diagram A. Nail slowly so wood does not split.
- 2. Nail wooden base on top of sides and then nail on support piece as shown.
- 3. Nail roof pieces on and then finish with roof cap.
- 4. Screw hanger in center of roof cap.

© 2002 OTC  
MADE IN CHINA



8.5 in / 215 mm

OrientalTrading.com  
(800) 875-8480

5.5 in / 139 mm

