

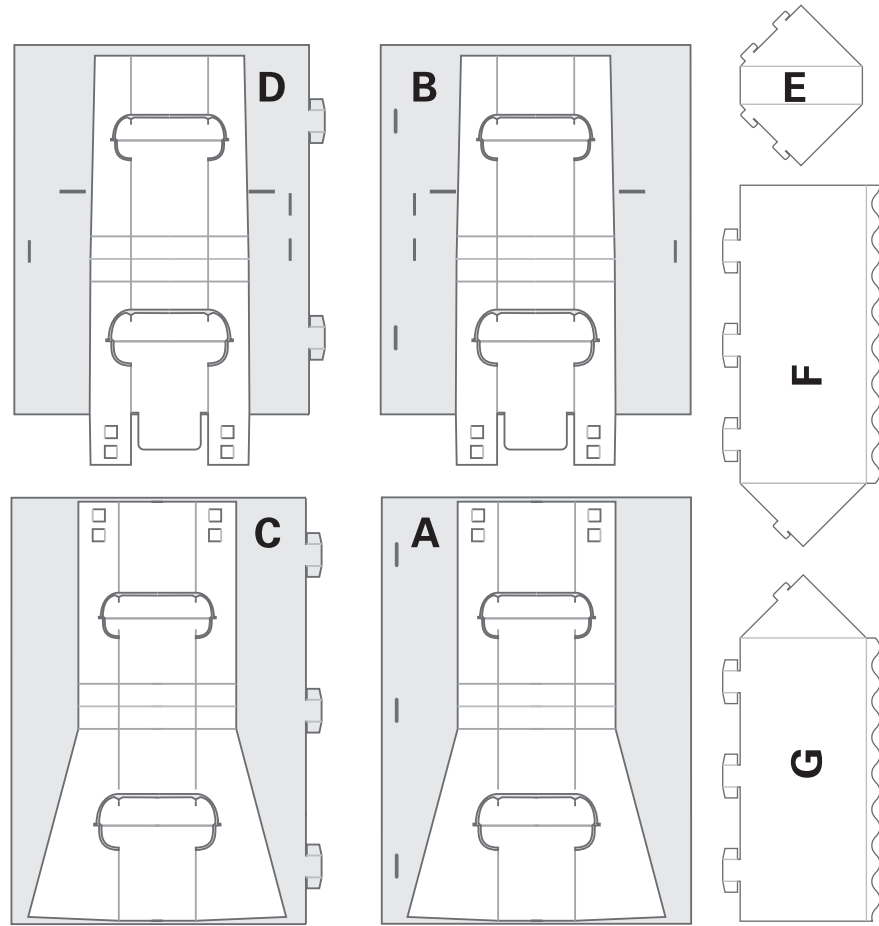
3/4955 Bourbon Street Front Instructions

©2018 Oriental Trading Company, Inc.

OrientalTrading.com (800)-228-2269

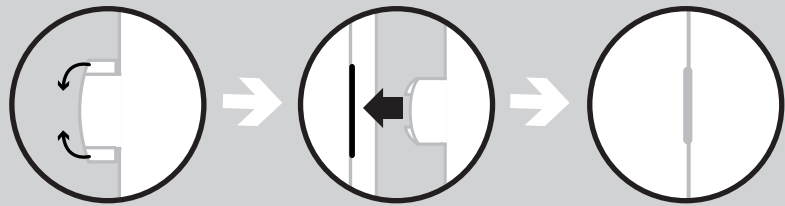
BEFORE YOU BEGIN ASSEMBLY:

- Check that all materials are included in your kit.
- Please read through the instructions before you begin assembly.
- Make sure that your work area is spacious enough to assemble the item.
- Assembly time should be about 30 minutes for two people.



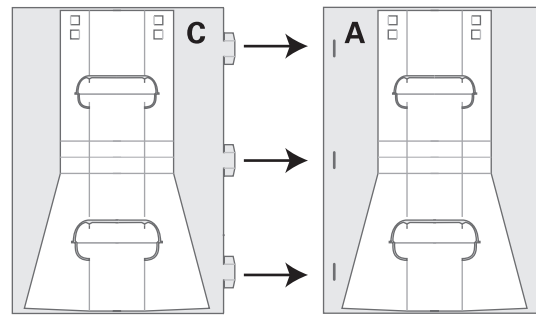
HELPFUL TIPS:

- When folding the pieces make sure the print is facing the same direction.
- Follow the diagrams below to insert the tabs into the tab openings.



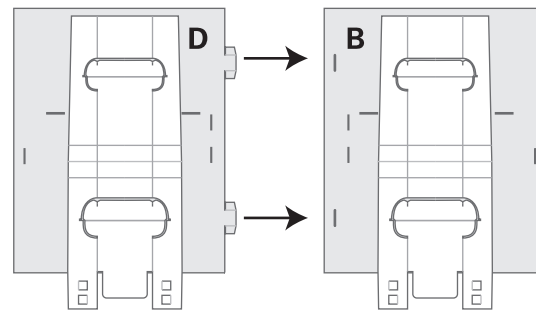
STEP 1:

Using the tabs, attach C to A.



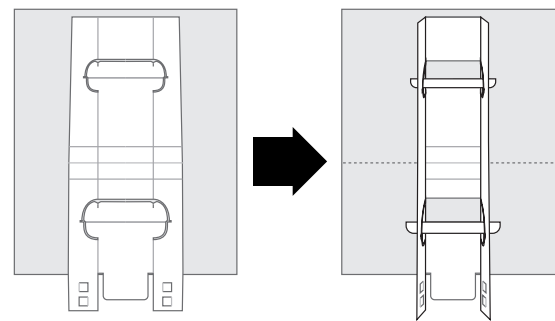
STEP 2:

Using the tabs, attach D to B.



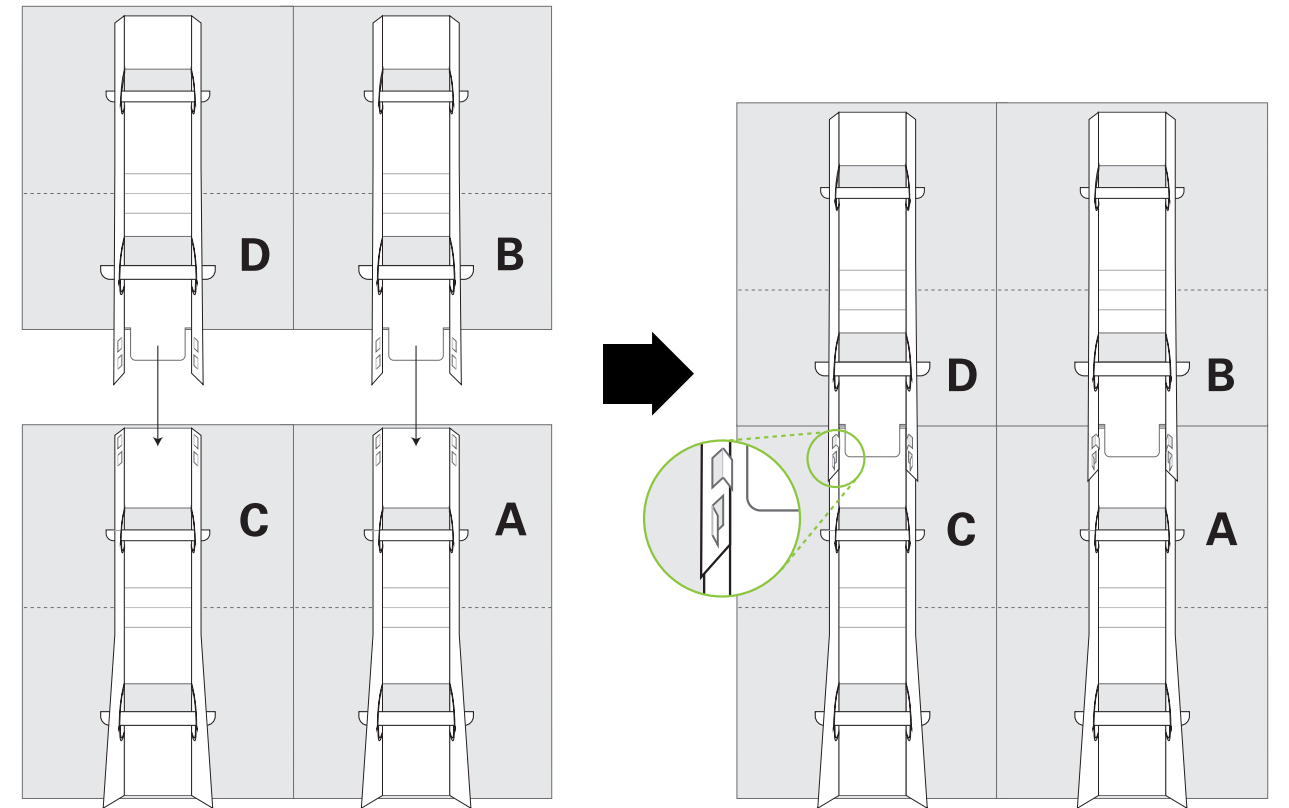
STEP 3:

Fold out the support stands on the back of A, B, C and D. Fold down the cardboard notches to lock the stands into place.



STEP 4:

With the design facing the floor, place D and B on top of C and A and lock the support stands together as shown below. Once locked in place, you can stand your item up.



Your Stand-Up is now finished!

Have fun!
Use this item as a display piece
or as part of a scene.

WARNING!!!
THE ITEM IS NOT CAPABLE OF
SUSTAINING HEAVY WEIGHTS.