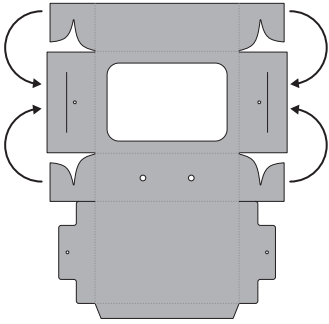


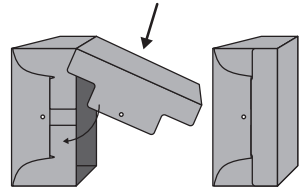
14356052 STEM Automata Craft Kit

Assembly Instructions:

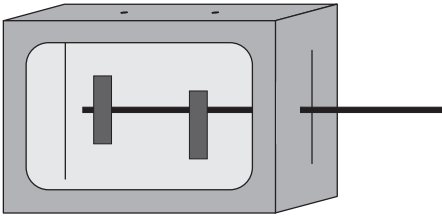
1. Fold the box and tuck in the tabs.



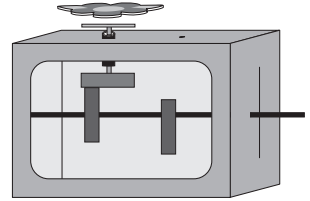
2. Tuck back tabs into side slots.



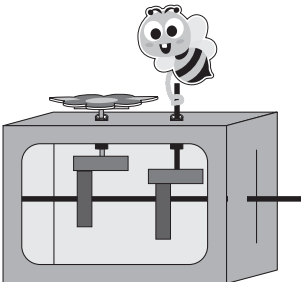
3. Insert the long black dowel into one side of the box. Attach the red foam disks to the dowel (circle disk on left, egg-shaped disk on right). Leave enough length of dowel on the right side of the box to allow for the handle to attach later. Space the disks to align with the small holes on the top of the box. Use glue (not included) to help secure the foam disks to the dowel.



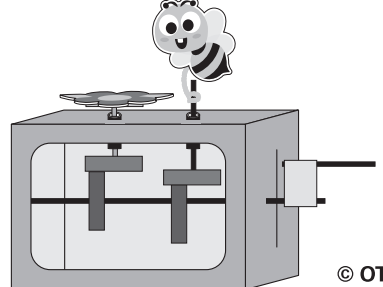
4. Insert one paper straw through the hole in the box above the round foam disk, then insert the small wood dowel through the straw. Attach a blue foam disk to the bottom of the dowel that is inside the box. The blue foam disk should sit on top of the red foam disk. Attach the green foam circle (adhesive side facing up) to the top of the dowel outside of the box and adhere the foam flower.



5. Insert one paper straw through the hole in the box above the egg-shaped foam disk, then insert the small black dowel through the straw. Attach a blue foam disk to the bottom of the dowel that is inside the box. The blue foam disk should sit on top of the red foam disk. Attach the chenille stem to the top of the dowel outside of the box, sandwich the chenille stem between the bee pieces.



6. To create the handle, center the large yellow piece of foam on the end of the remaining short black dowel. Fold the yellow foam in half attaching to the long foam dowel. Adhere the small strip to the end of the dowel, opposite of the handle to help keep the dowel in place. Turn the handle to watch the flower spin and the bee move up and down.



© OTC



Share your fun!

Tag your photo with **#orientaltrading** on social media!