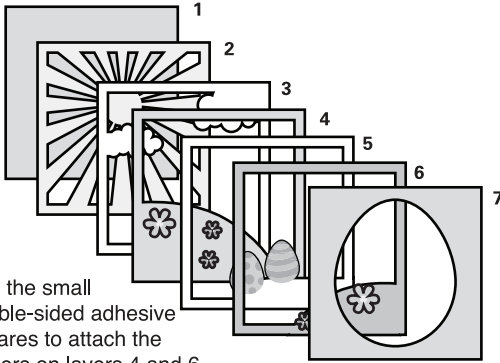


# 14352516 Easter Paper Layering Scene Craft Kit

## Instructions:

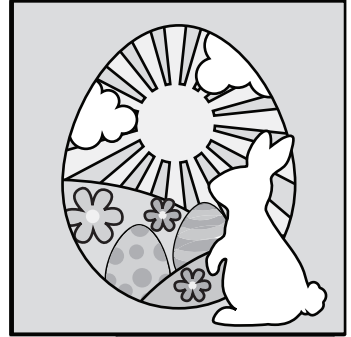
Using the picture as a guide, assemble the craft as shown.

1. Use the small double-sided adhesive squares to layer the paper as shown.

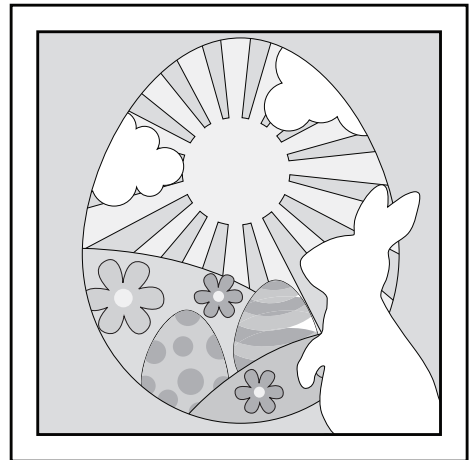
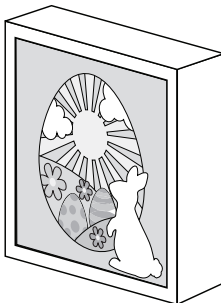
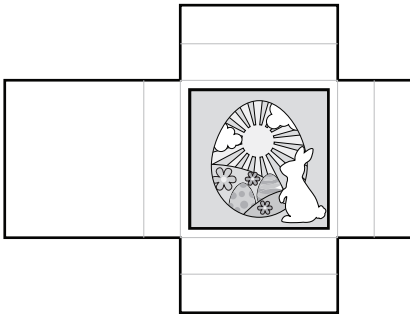


Use the small double-sided adhesive squares to attach the flowers on layers 4 and 6.

2. Use the small double-sided adhesive squares to attach the bunny.



3. Fold the white box around the scene. Use tape (not included) to secure the box.



© OTC



Share your fun!

Tag your photo with **#orientaltrading** on social media!