

14268617 Bird Counting Game

Game 1:

Players: 2 (working together)

Materials needed: 2 spinners, birds, food

How to Play:

- Player 1 spins the number spinner and the bird/food spinner to determine if they are placing a bird or food on the tree. (If the spinner lands on a negative number, the player must remove that number of birds or food. If that number of bird or food is not on the tree, the player loses their turn.)
- Player 2 spins the number spinner and the bird/food spinner to determine how many birds or food they will place on the tree.
- The players will continue taking turns spinning both spinners until they have 10 birds and 10 pieces of food on the tree.

Game 2:

Players: 2

Materials needed: 2 spinners, birds, food

How to Play:

- Players choose the color of the bird and the food they will be using.
- Player 1 spins the number spinner and the bird/food spinner to determine which piece they will place on the tree, either bird or food. (If the spinner lands on a negative number, the player must remove that number of birds or food. If that number of bird or food is not on the tree, the player loses their turn.)
- Player 2 spins the number spinner and the bird/food spinner to determine how many birds or food they will place on the tree.
- The players will continue taking turns spinning both spinners until 1 player has 5 birds and 5 pieces of food in any color on the tree.
- The first player to reach 5 birds and 5 pieces of food is the winner.

Game 3:

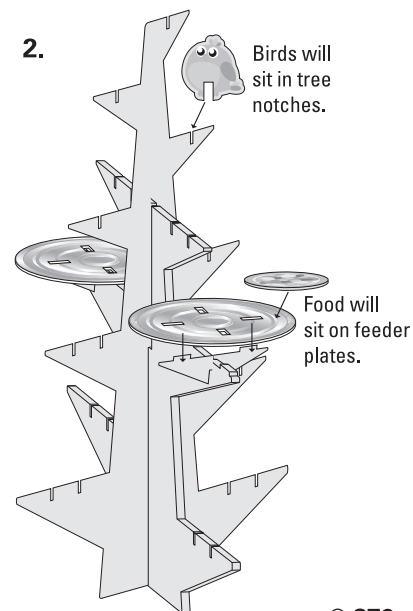
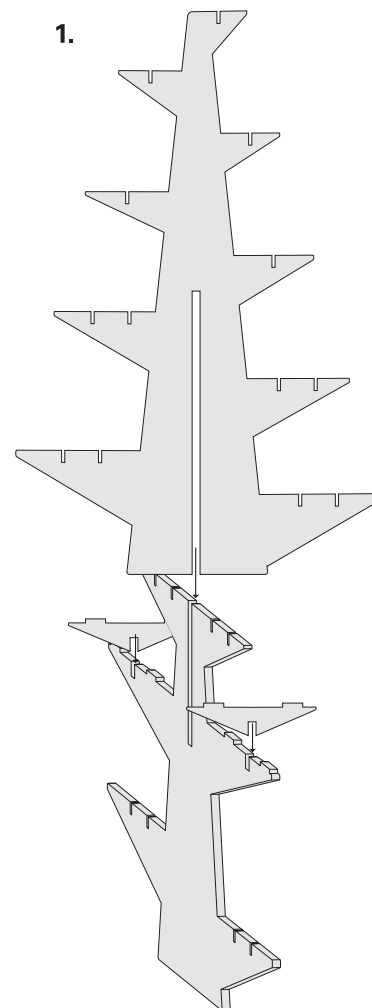
Players: 3-4

Materials needed: 2 spinners, birds, food

How to Play:

- Players choose the color of the bird and the food they will be using.
- Player 1 spins the number spinner and the bird/food spinner to determine which piece they will place on the tree, either bird or food. (If the spinner lands on a negative number, the player must remove that number of birds or food. If that number of birds or food is not on the tree, the player loses their turn.)
- Play continues around the players: Each player spins the number spinner and the bird/food spinner to determine how many birds or food they will place on the tree. (If the spinner lands on a negative number, the player must remove that number of birds or food. If that number of birds or food is not on the tree, the player loses their turn.)
- The players will continue taking turns spinning both spinners until 1 player has 5 birds and 5 pieces of food in any color on the tree.
- The first player to reach 5 birds and 5 pieces of food is the winner.

Tree Assembly



© OTC