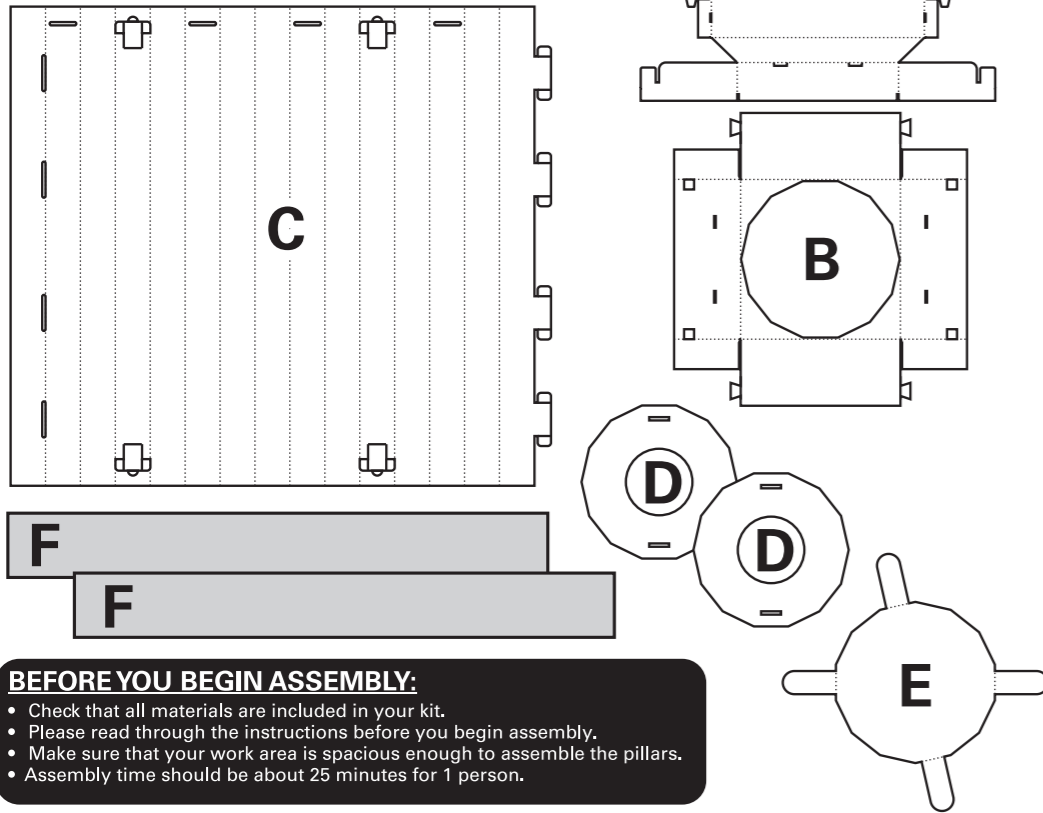


# 14226596 5 Ft Jungle Animal Print Columns Instructions

## COMPONENTS LIST

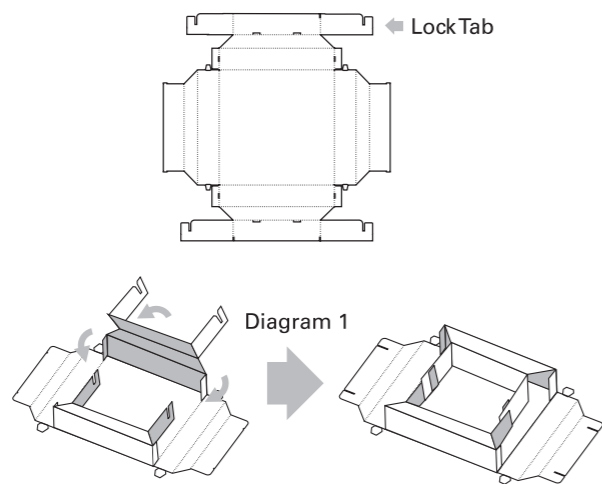
- QTY. 2 A) BASE
- QTY. 2 B) INSERT FOR BASE
- QTY. 2 C) PILLAR
- QTY. 4 D) CIRCLE BRACE FOR PILLAR
- QTY. 2 E) PILLAR CAP
- QTY. 4 F) PILLAR WRAP



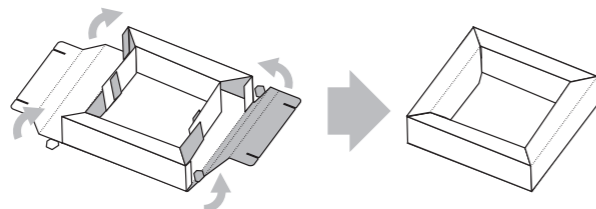
**BEFORE YOU BEGIN ASSEMBLY:**

- Check that all materials are included in your kit.
- Please read through the instructions before you begin assembly.
- Make sure that your work area is spacious enough to assemble the pillars.
- Assembly time should be about 25 minutes for 1 person.

**STEP 1:**  
Fold the lock tabs on A inward and down. Interlock the ends together as shown (Diagram 1) to lock into place.

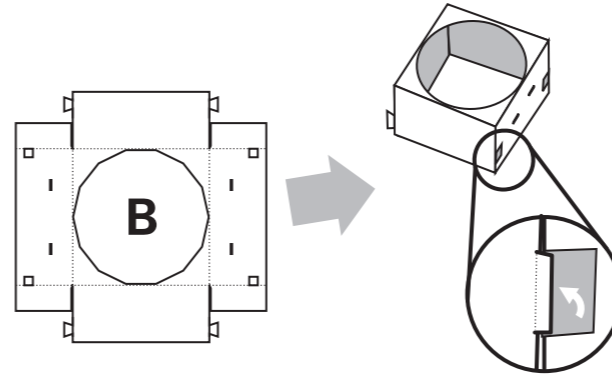


**STEP 2:**  
Fold the remaining sides inward to create the Base piece.

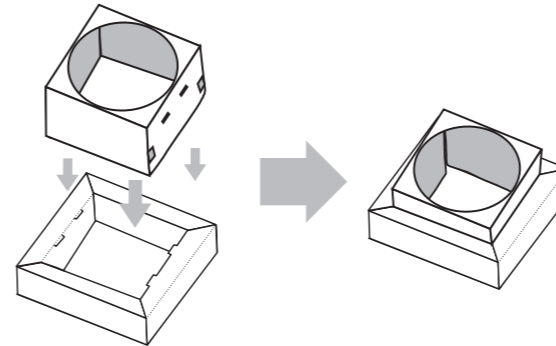


Repeat Step 1 & 2 to make a total of two Base pieces.

**STEP 3:**  
Fold B along the score lines to form a box structure. Press the side tabs inward to secure the shape.

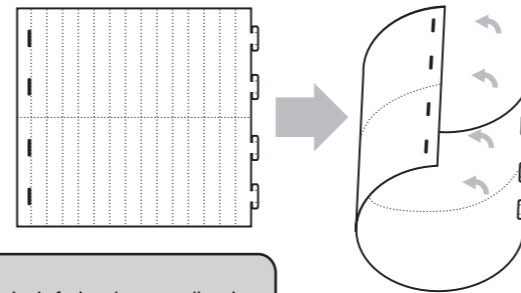


**STEP 4:**  
With the round opening facing you, match the side slots found on B to the tabs found on A. Insert B into A until the tabs fit securely in the slots.



Repeat Step 3 and 4 to make a total of two.

**STEP 5:**  
Fold C into a pillar shape and secure closed using the tabs.



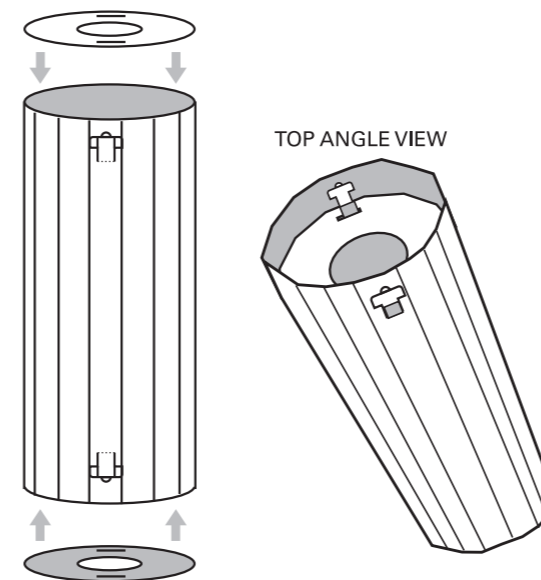
Repeat to make a total of two.

**HELPFUL TIPS:**

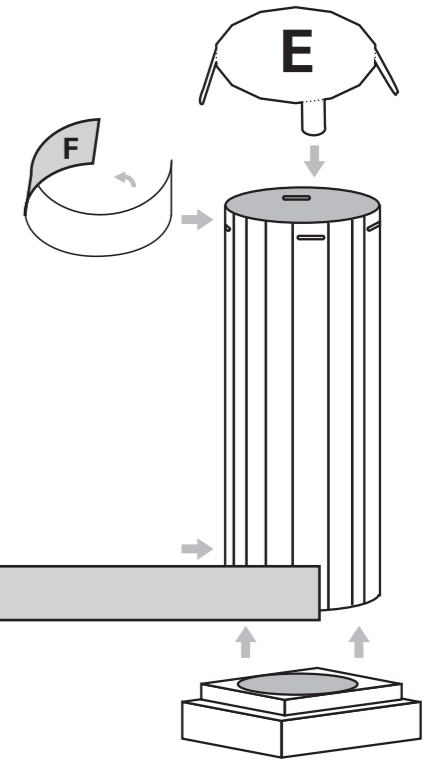
- When folding the pieces make sure the print is facing the same direction.
- Follow the diagrams below to insert the tabs into the tab openings.

**STEP 6:**  
Place a D piece inside the top and bottom of C piece securing with the tabs.

Repeat on the other C piece.



**STEP 7:**  
Place the Base from Steps 1 through 4 on the bottom of the constructed pillar as shown. Fold the tabs on E and insert into the slots at the top edge.



**STEP 8:** Attach F around the top and bottom with tape (not included).

Repeat to make a total of two pillars.

**Finished!**

Have fun! Decorate them any way you would like! Caps can be removed or perforated as needed to anchor light-weight decor, balloons or gossamer (not included).



**HELPFUL HINT:**  
• PILLARS should not be used in the rain or other weather that may cause damage to the cardboard.

**WARNING!!!**  
THESE PILLARS ARE NOT CAPABLE OF SUSTAINING VERY HEAVY WEIGHTS.