

14194975 Valentine Archway Instructions

COMPONENTS INCLUDED:

- Qty 1 A) Post Left
- Qty 1 B) Post Right
- Qty 2 C) Angle Beam
- Qty 1 D) Top Beam
- Qty 1 E) Topper
- Qty 10 F) Plastic Plugs

BEFORE YOU BEGIN ASSEMBLY:

- Check that all materials are included in your kit.
- Please read through the instructions before you begin assembly.
- Make sure that your work area is spacious enough to assemble the item.
- Assembly time should be about 30 minutes for two people.

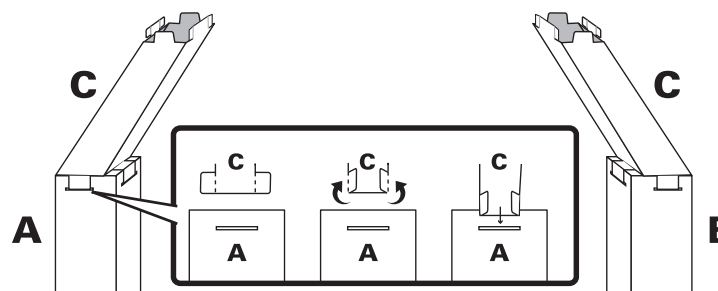
HELPFUL TIPS:

- When folding the pieces make sure the print is facing outward.
- Follow the diagram below to insert and close the tab openings.



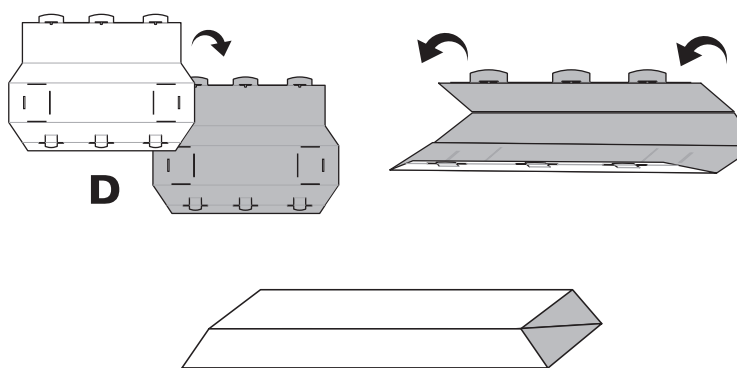
STEP 2:

Fold each C piece and secure the side tabs. With piece C facing upward, insert each piece into the posts and secure the tabs as shown below.



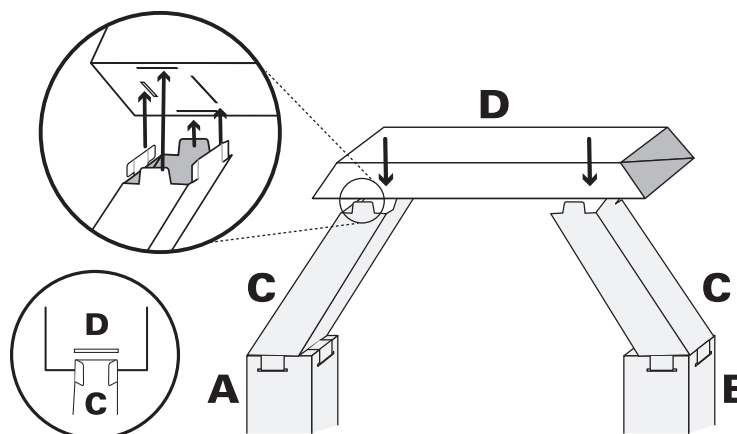
STEP 3:

Fold piece D along the score lines and form into a rectangular beam. Secure the tabs on the side.



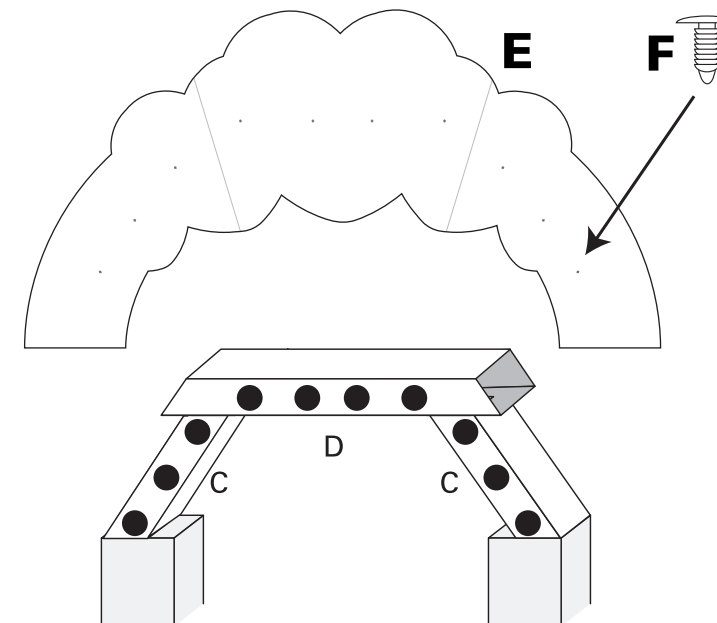
STEP 4:

Place D on the top of each C piece. To secure the beam insert the tabs where shown.



STEP 5:

Attach E to the frame using the plastic plugs (F) as shown.



Your archway is finished!

Have fun with your new archway!

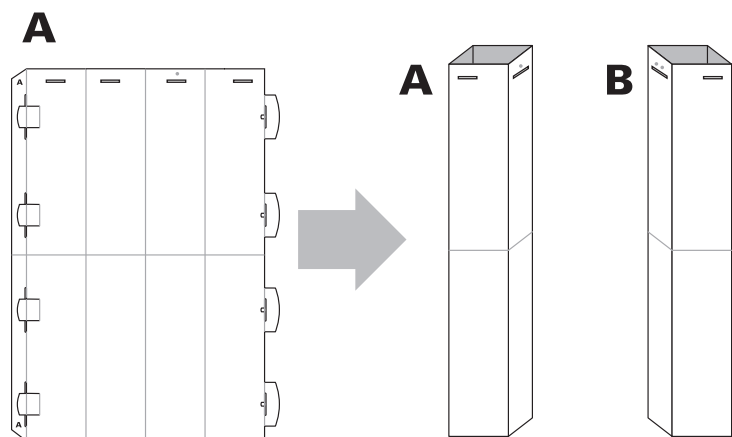
Use it as a party display to welcome guests or as a fun doorway.

WARNING!!!
THIS ITEM IS NOT CAPABLE OF SUSTAINING HEAVY WEIGHTS.



STEP 1:

Fold pieces A and B along the score lines and form into square posts. Secure the tabs on the sides.



Share your fun!

Tag your photo with #orientaltrading on social media!