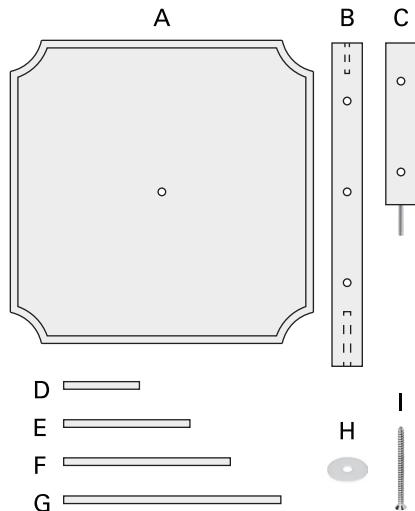


14106261 Tiered Donut Stand Instructions

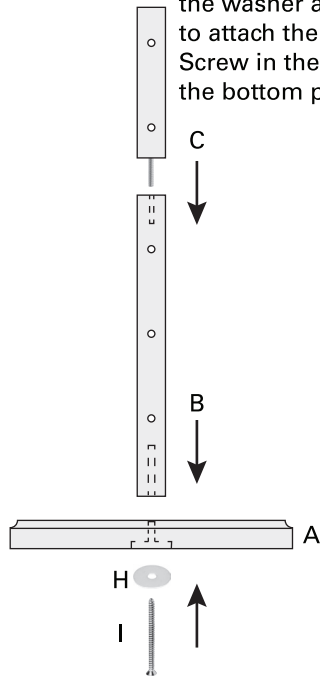
COMPONENTS INCLUDED

- QTY 1 X A) BASE PIECE
- QTY 1 X B) BOTTOM POST
- QTY 1 X C) TOP POST
- QTY 4 X D) TOP DOWEL
- QTY 8 X E) SMALL DOWEL
- QTY 4 X F) LARGE DOWEL
- QTY 4 X G) BOTTOM DOWEL
- QTY 1 X H) METAL WASHER
- QTY 1 X I) FLATHEAD SCREW

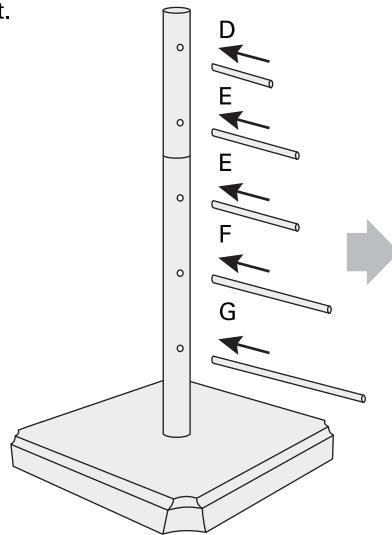


Simple Assembly Required:

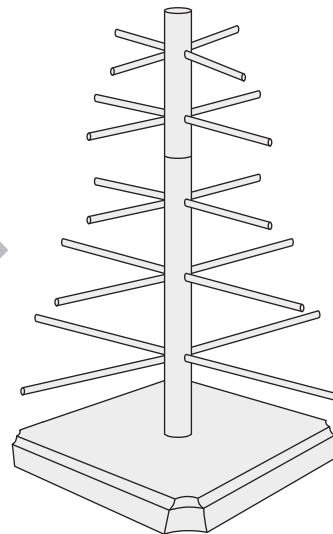
1. Insert screw through the washer and base to attach the bottom post. Screw in the top post to the bottom post.



2. Insert dowels D, E, F and G into post as shown. (Dowel "E" is used for two rows.) Repeat on all four sides.



Finished Assembled View



For added support, use wood glue (not included).

© OTC



Share your fun!

Tag your photo with **#orientaltrading** on social media!