

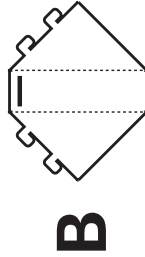
14104255 Southwest VBS Directional Sign Instructions

PLEASE READ INSTRUCTIONS BEFORE YOU BEGIN

- Check that all materials are included in your kit.
- Make sure that your work area is large enough to assemble the item.
- Assembly time should be about 30 minutes for two people.

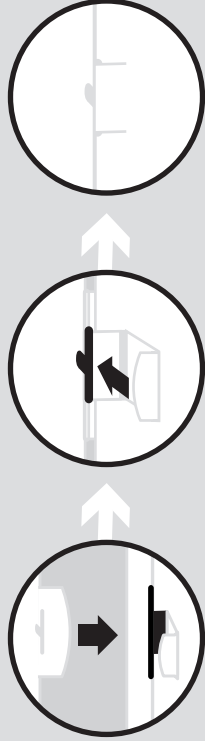
COMPONENTS INCLUDED

- QTY. 1 A) SIGN POST
- QTY. 4 B) POST SUPPORTS
- QTY. 6 C) SHAPED SIGNS
- QTY. 12 D) CLEAR PLASTIC PLUGS



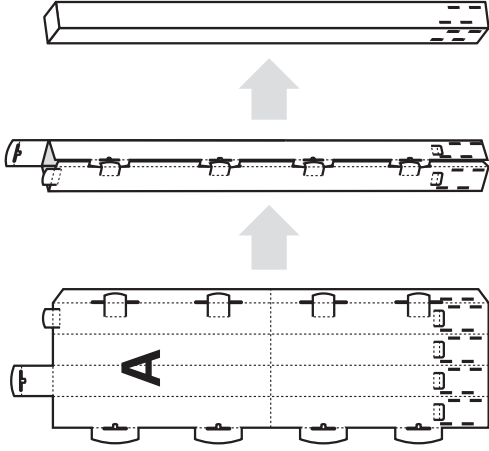
HELPFUL TIPS:

- When folding the pieces make sure the print is facing outward.
- Follow the diagram below to insert and close the tab openings.



STEP 1:

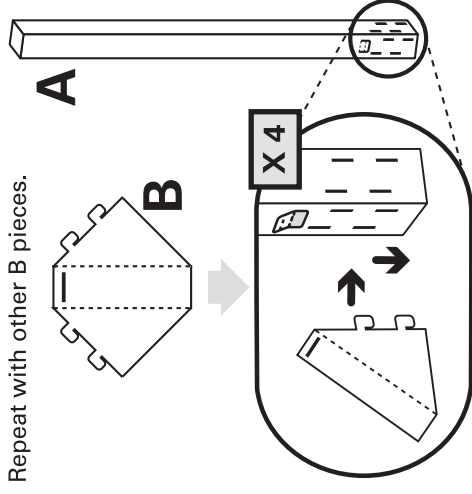
Fold piece A into a box shape and secure the tabs.



STEP 2:

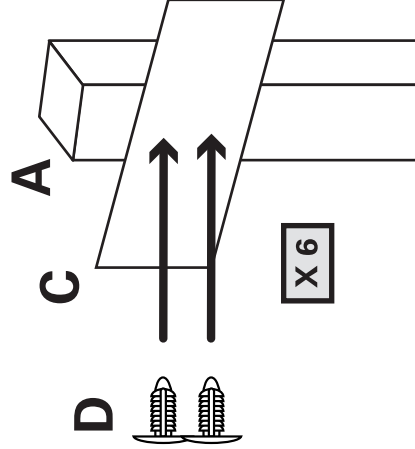
Fold the sides of B to create a triangular box shape as shown. Lift the flap on A and insert the tabs of B into the four slots on one side of A. To secure, insert the flap into the top slit on B.

Repeat with other B pieces.



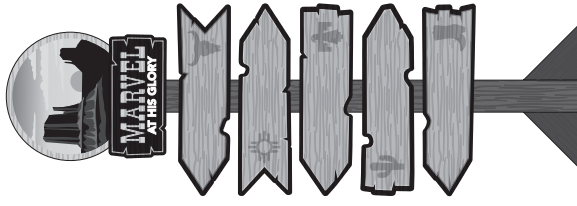
STEP 3:

Use two D pieces to attach one C piece to A. Repeat with other D pieces until assembled.



Your Directional Sign is finished!

Have fun with your new directional sign! Use it as a display piece or as part of a scene.



WARNING!!!
THE DIRECTIONAL SIGN IS NOT CAPABLE OF SUSTAINING HEAVY WEIGHTS.

© OTC

Share your fun!



Tag your photo with #orientaltrading on social media!