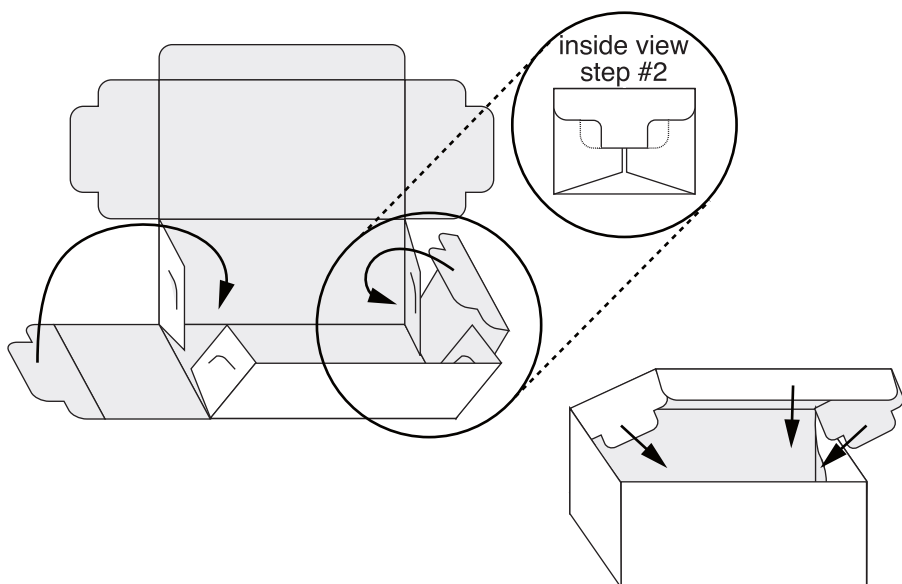
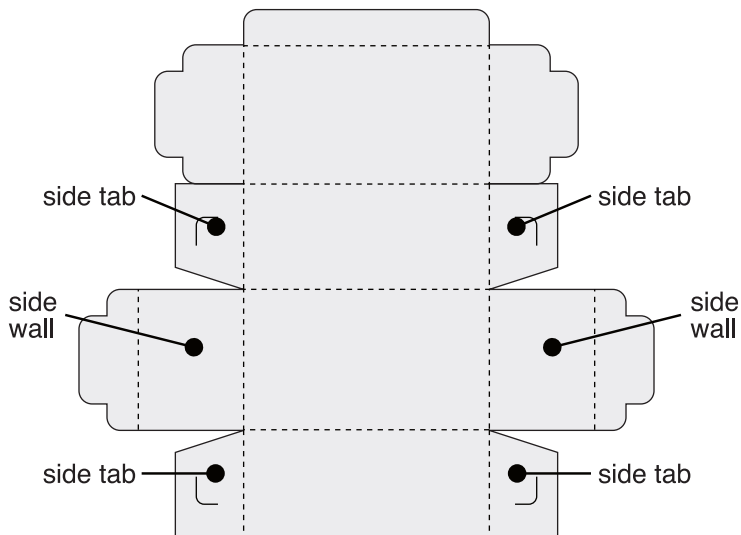


Cake Box Instructions:

1. To assemble the box, fold the side tabs up and inward.
2. Fold each side wall up and over the side tabs and tuck the end into the slits on the side tabs.
3. To close the box, fold and tuck the flaps inside the box.



© OTC