

13971020 White Split Rail Fence Instructions

BEFORE YOU BEGIN ASSEMBLY:

- Check that all materials are included in your kit.
- Please read through the instructions before you begin assembly.
- Make sure that your work area is spacious enough to assemble the item.
- Assembly time should be about 30 minutes for two people.

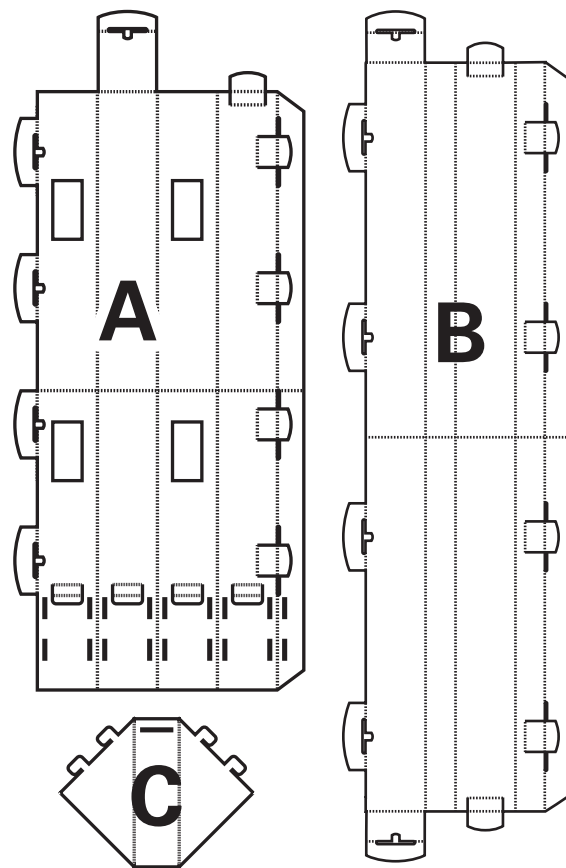
HELPFUL TIPS:

- When folding the pieces make sure the print is facing outward.
- Follow the diagram below to insert and close the tab openings.



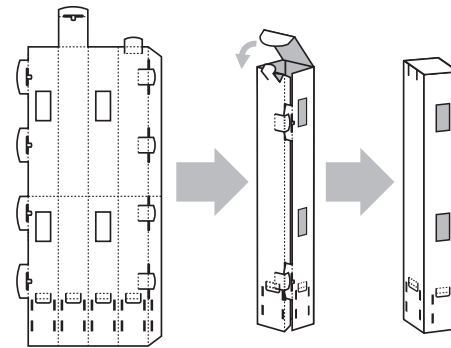
COMPONENTS LIST

QTY. 3	A) FENCE POST
QTY. 4	B) RAILING
QTY. 12	C) SUPPORT



STEP 1:

Fold the A pieces along the score lines to form tubes. Secure the side and lid together with the tabs.

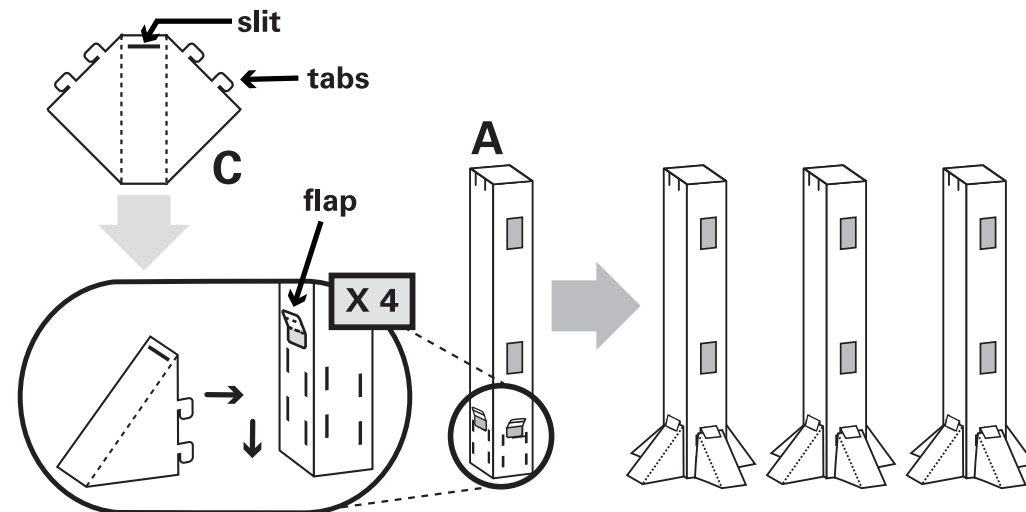


Repeat with the B pieces.

STEP 2:

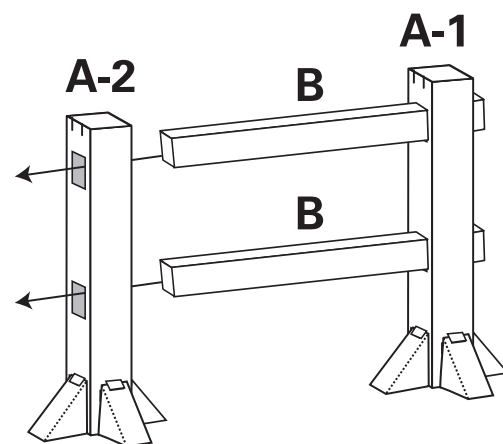
Pull the side flaps outward on all sides of each A piece. Fold C into a triangular shape. Insert C into one side of A and slide downward. Secure in place by inserting the flap into the top slit.

Repeat on all posts with four braces each.



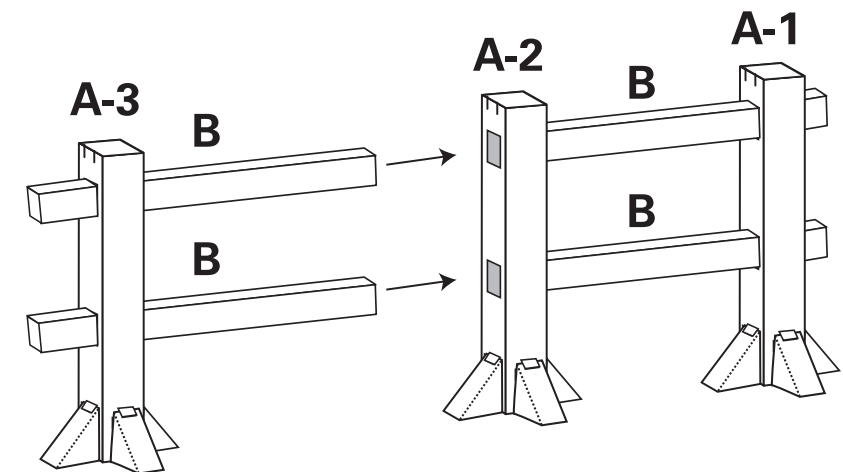
STEP 3:

Taking one B piece, insert it all the way through the bottom hole of A-1. Insert the other end partially through A-2. Repeat with second B piece.



STEP 4:

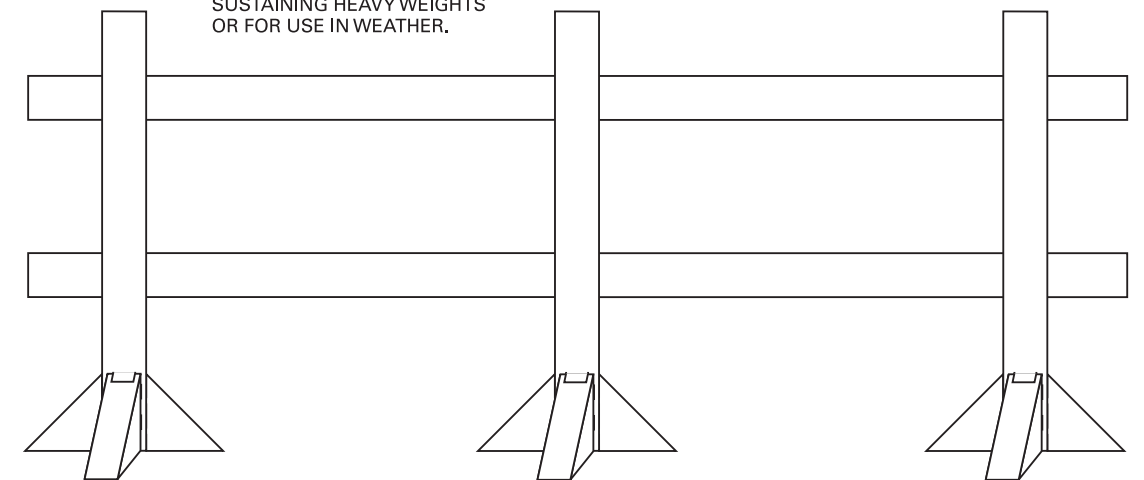
To add the second fence section, insert one B piece all the way through the bottom hole of A-3. Insert the other end partially through A-2. Repeat with the last B piece.



Your item is finished!

Have fun with your new item!
Use it as a display piece or as part of a scene.

WARNING!!!
THE FENCE IS NOT CAPABLE OF
SUSTAINING HEAVY WEIGHTS
OR FOR USE IN WEATHER.



HELPFUL HINT

- Combine sets of fences to make one large fence!

