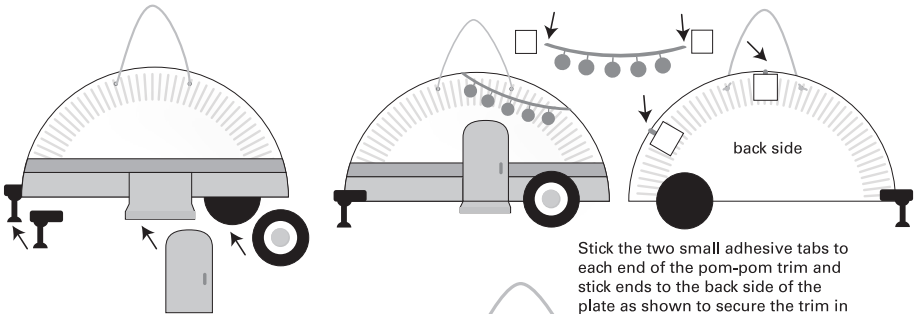
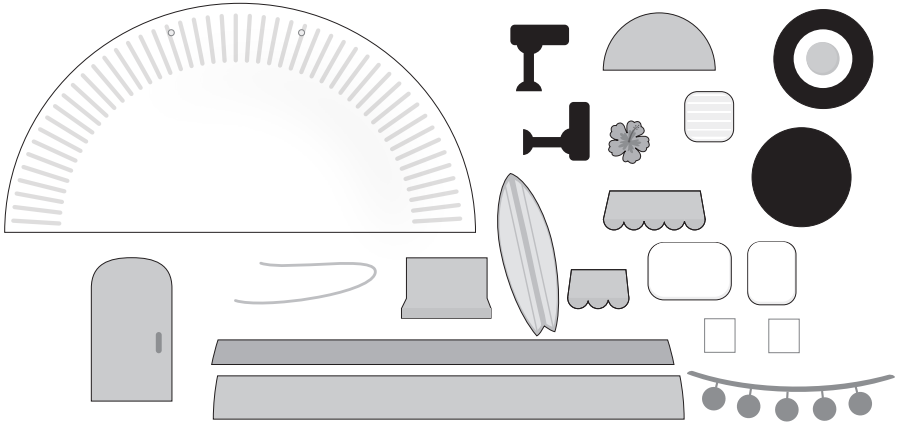


# 13970780 Beach Camp Plate Craft Kit

## Instructions:

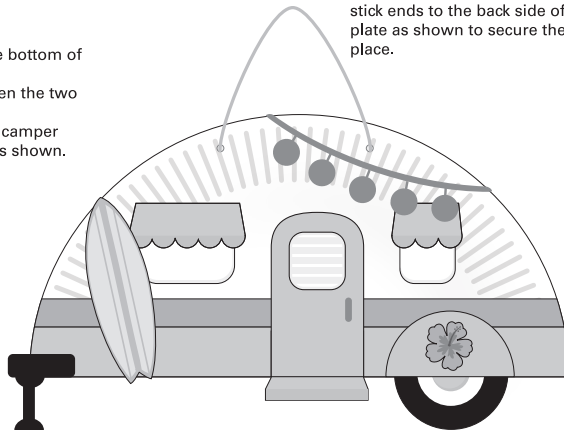
Tie the ends of the cording to the foam sign to create the hanger.

Using the picture as a guide, adhere the pieces together as shown.



Stick the two stripes to the bottom of the plate.  
Sandwich the plate between the two tires and hitch pieces.  
Stick the stair piece to the camper using the adhesive door as shown.

Stick the two small adhesive tabs to each end of the pom-pom trim and stick ends to the back side of the plate as shown to secure the trim in place.



© OTC



Share your fun!

Tag your photo with **#orientaltrading** on Instagram or upload your photos at **orientaltrading.com/sharefun**.