

13961529 Bunny Ears Archway Instructions

COMPONENTS INCLUDED:

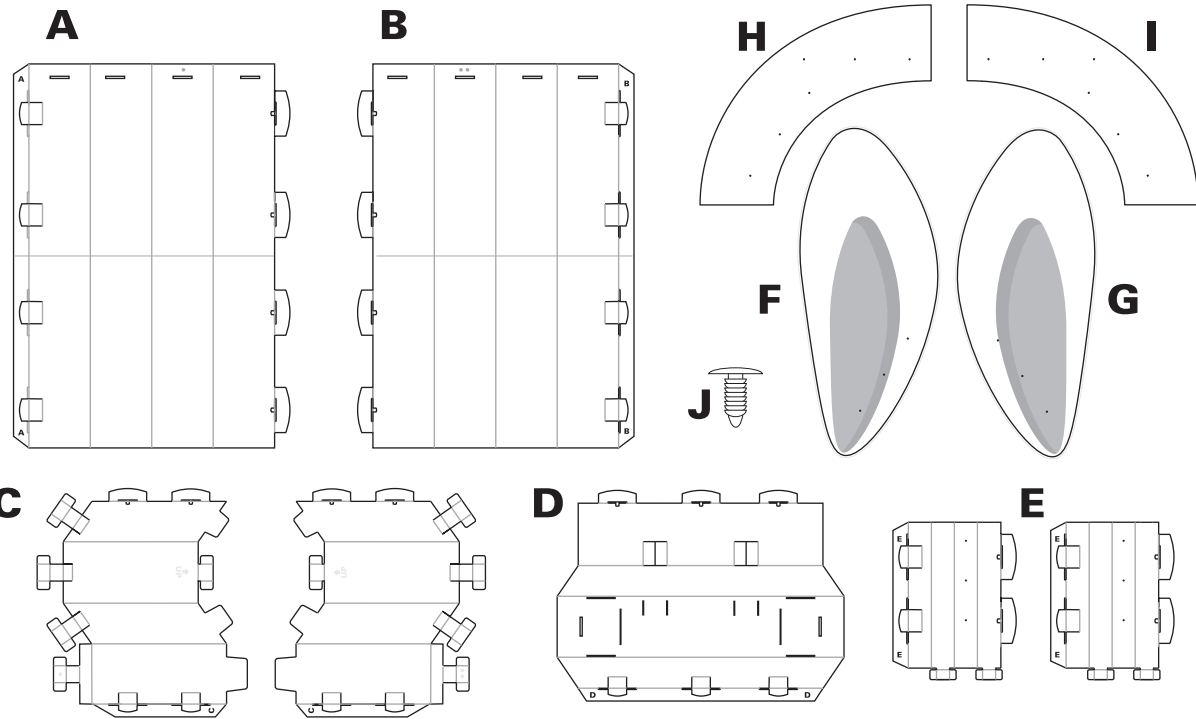
- Qty 1 A) Post Left
- Qty 1 B) Post Right
- Qty 2 C) Angle Beam
- Qty 1 D) Top Beam
- Qty 2 E) Small Brace
- Qty 1 F) Bunny Ear Left
- Qty 1 G) Bunny Ear Right
- Qty 1 H) Arch Left
- Qty 1 I) Arch Right
- Qty 18 J) Plastic Plugs

BEFORE YOU BEGIN ASSEMBLY:

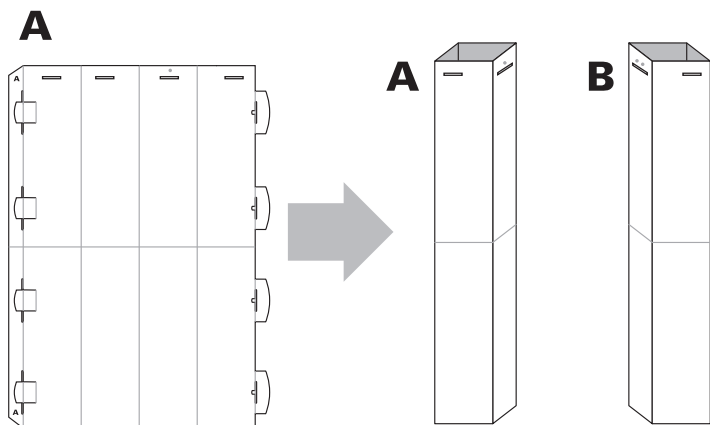
- Check that all materials are included in your kit.
- Please read through the instructions before you begin assembly.
- Make sure that your work area is spacious enough to assemble the item.
- Assembly time should be about 30 minutes for two people.

HELPFUL TIPS:

- When folding the pieces make sure the print is facing outward.
- Follow the diagram below to insert and close the tab openings.

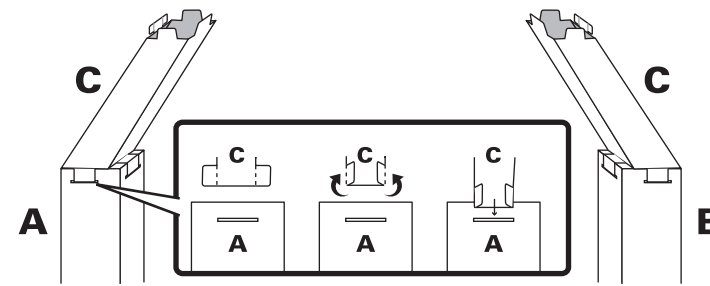


STEP 1:
Fold pieces A and B along the score lines and form into square posts. Secure the tabs on the side and the lid.



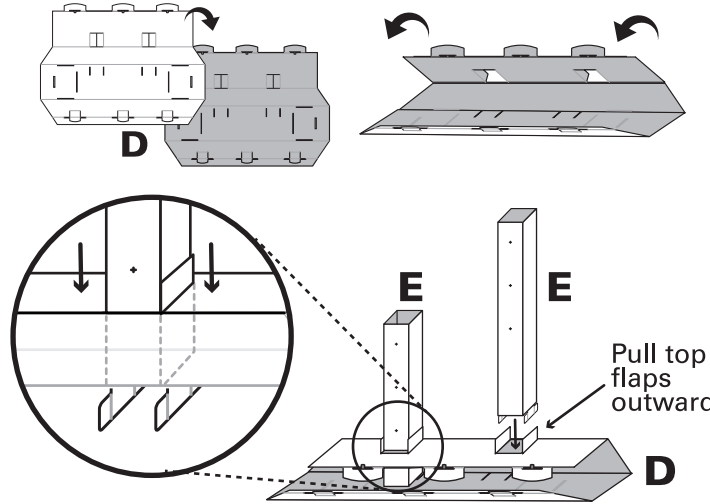
STEP 2:

Fold each C piece and secure the side tabs. With piece C facing upward, insert each piece into the posts and secure the tabs as shown below.



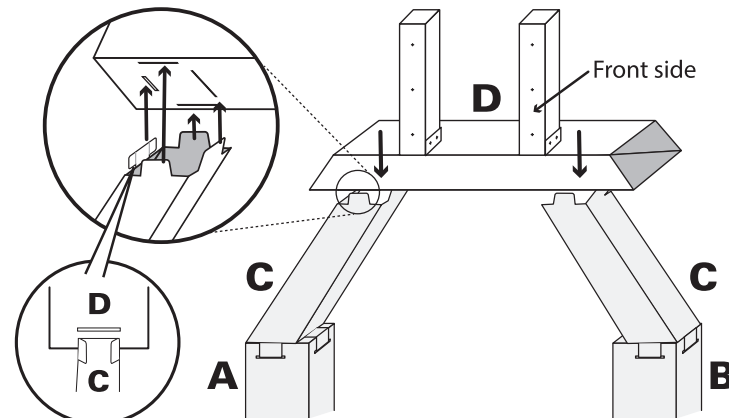
STEP 3:

Fold each E piece and secure the side tabs. Take piece D and with the printed side facing downward, fold up along the score lines. Pull the top flaps outward and thread each E piece through D and insert the tabs as shown. Secure D together with the side tabs.



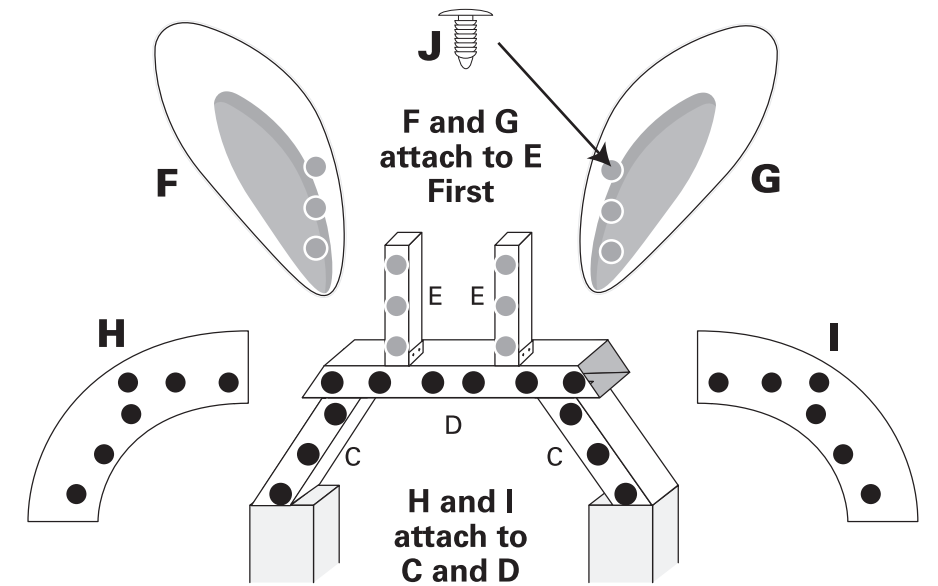
STEP 4:

With piece E along the front side of the beam, place D on the top of each C piece. To secure the beam insert the tabs where shown.



STEP 5:

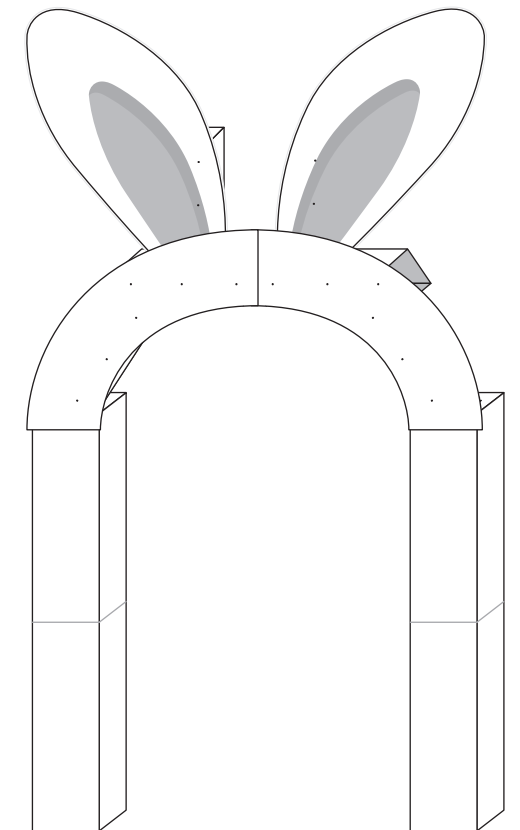
Attach the remaining pieces to the frame using the plastic plugs (J) as shown.



Your archway is finished!

Have fun with your new arch!

Use it as a display piece or as part of a scene.



WARNING!!!
THIS ITEM IS NOT CAPABLE OF SUSTAINING HEAVY WEIGHTS.

Share your fun!

Tag your photo with **#orientaltrading** on Instagram or upload your photos at **orientaltrading.com/sharefun**.