

# 13960113 Eiffel Tower Stand Up Instructions

## COMPONENTS LIST

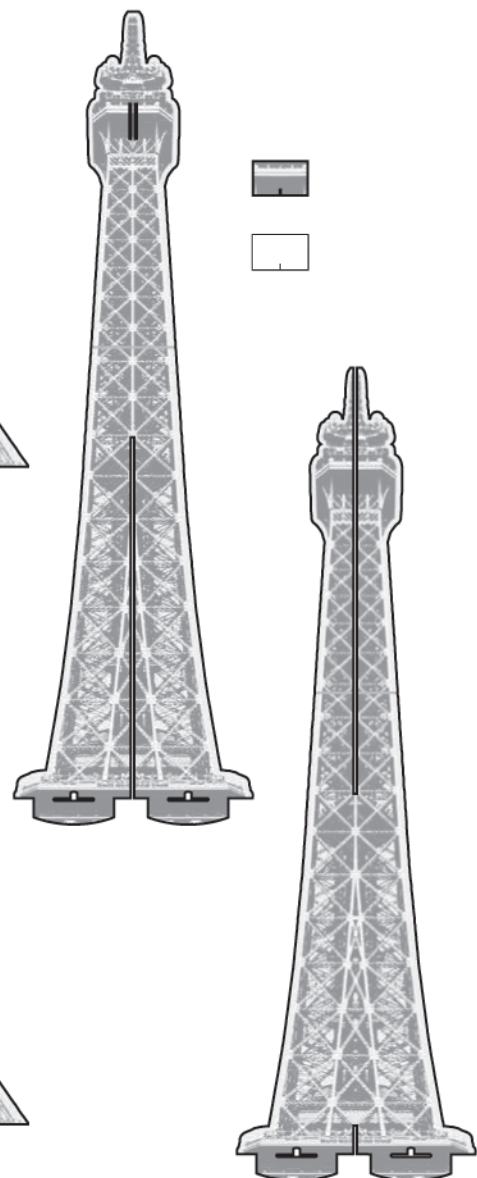
- QTY. 1 BOTTOM PIECE 1
- QTY. 1 BOTTOM PIECE 2
- QTY. 1 TOP PIECE 1
- QTY. 1 TOP PIECE 2
- QTY. 2 BRACE

### BEFORE YOU BEGIN ASSEMBLY:

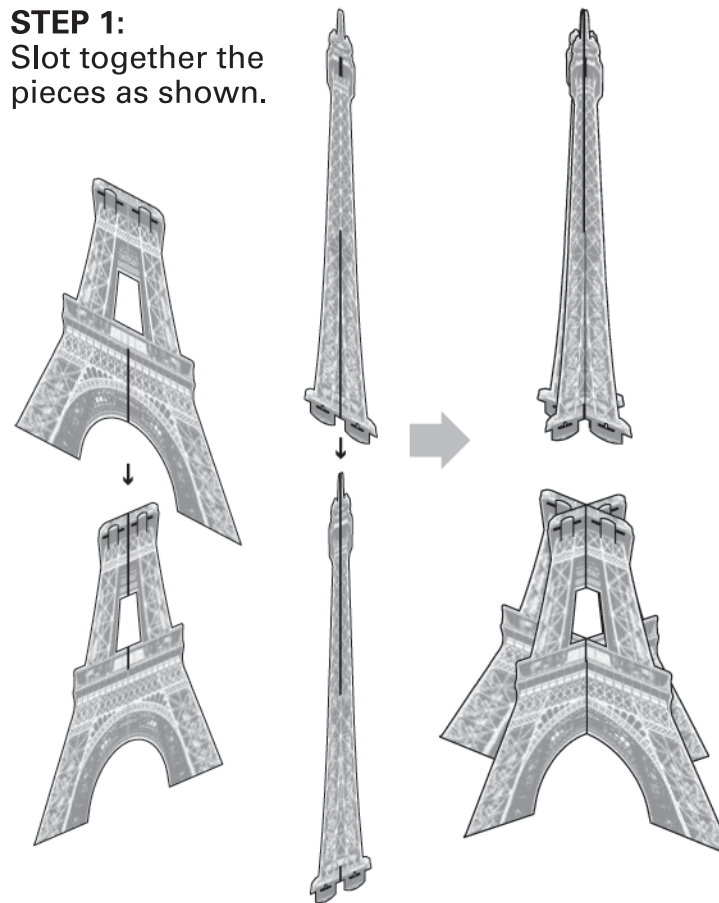
- Check that all materials are included in your kit.
- Please read through the instructions before you begin assembly.
- Make sure that your work area is spacious enough to assemble the item.
- Assembly time should be about 30 minutes for two people.

### HELPFUL TIPS:

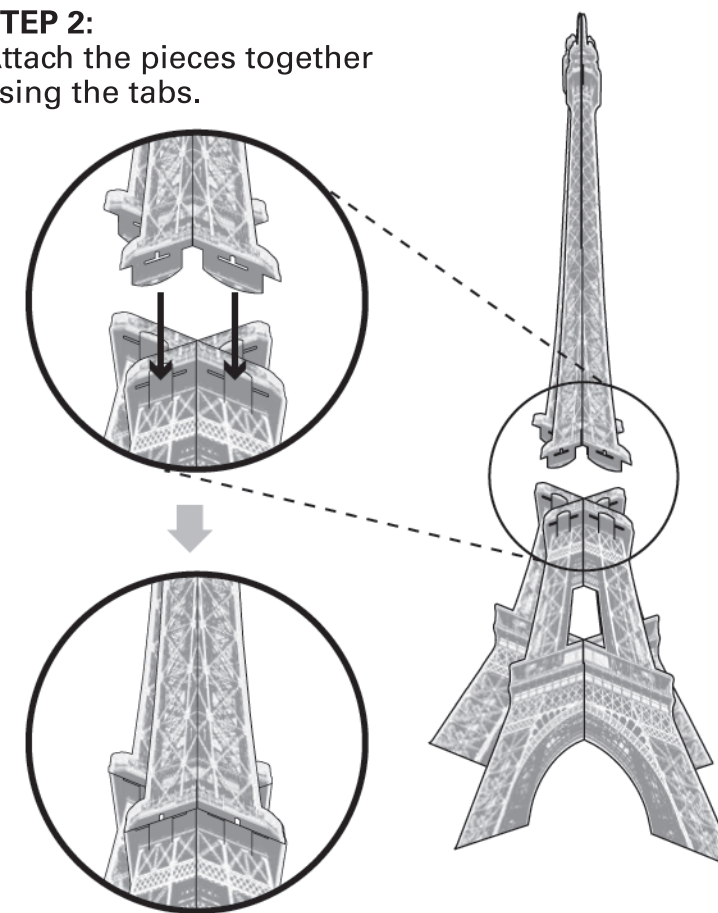
- When folding the pieces make sure the print is facing outward.
- Follow the diagram below to insert and close the tab openings.



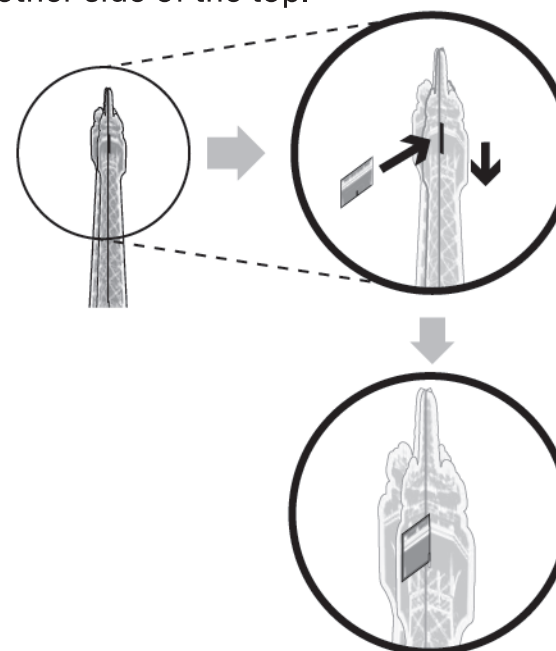
**STEP 1:**  
Slot together the pieces as shown.



**STEP 2:**  
Attach the pieces together using the tabs.



**STEP 3:**  
Slide one brace into the slit at the top. Slide downward to secure into place. Repeat with the other brace piece on the other side of the top.

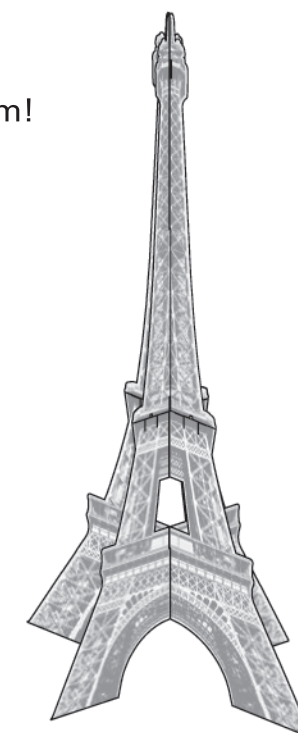


**Your item is finished!**

Have fun with your new item!

Use it as a display piece or as part of a scene.

**WARNING!!!**  
THIS STAND-UP IS NOT CAPABLE OF SUSTAINING HEAVY WEIGHTS.



© OTC

   **Share your fun!**

Tag your photo with **#orientaltrading** on Instagram or upload your photos at **orientaltrading.com/sharefun**.