



13959819 Balloon Poppers STEM Craft Kit

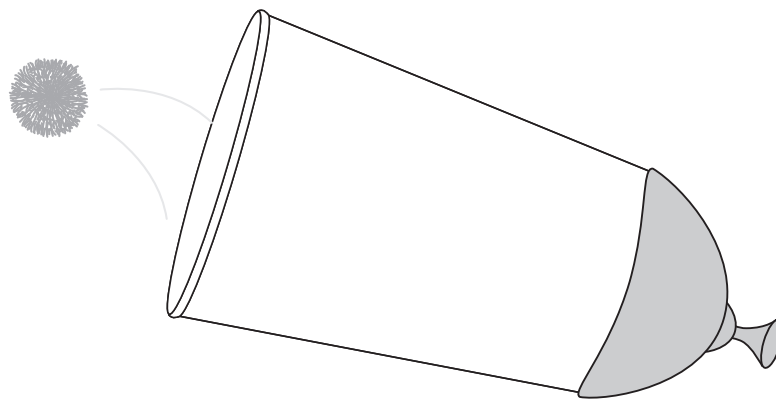
The following item is considered a STEM craft. The instructions for this item are extremely simplified, as there is no right/wrong way to put this item together. The purpose of this product is to learn through the process of experimentation, and trial and error.

Instructions:

Cut out the base of the cup. Cut the round end off the balloon. Stretch the end of the balloon with the nozzle attached around the small end of the cup. Tie a knot in the balloon nozzle.

Decorate the cup using markers, stickers, crayons etc. Place a pom-pom in the cup and pull back on the balloon, releasing to see how far the pom-pom can fly.

Try launching other small soft items like mini marshmallows or cotton balls to see which objects fly further than others.



OrientalTrading.com
(800) 875-8480

© 2020 OTC
MADE IN CHINA

