

13958828 3D Moveable NYE Ball Drop Stand-up Instructions

©2020 Oriental Trading Company, Inc.
 OrientalTrading.com (800)-228-2269

COMPONENTS LIST

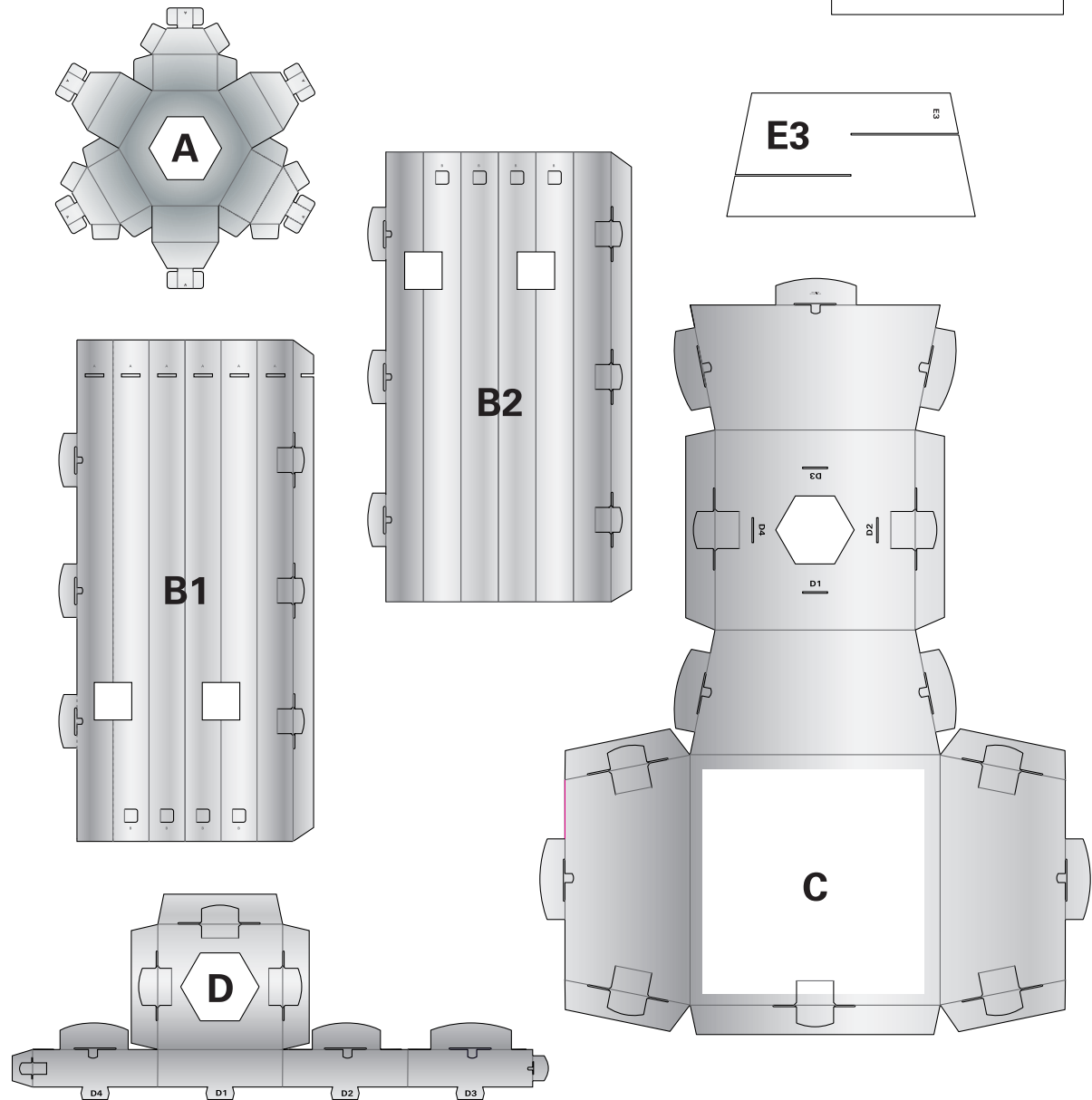
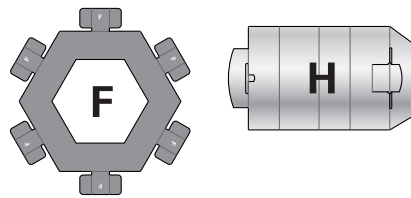
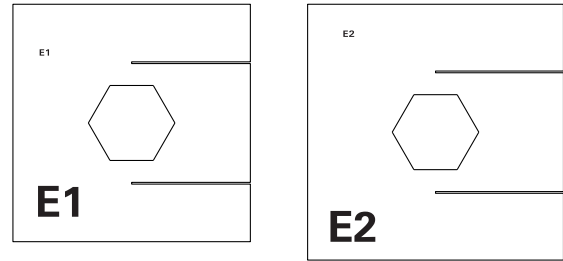
- QTY. 1 A) TOP COVER
- QTY. 1 B1) POSTTOP
- QTY. 1 B2) POST BOTTOM
- QTY. 1 C) BASE
- QTY. 1 D) BASE ACCENT
- QTY. 1 E1) BASE BRACE SMALL
- QTY. 1 E2) BASE BRACE LARGE
- QTY. 2 E3) BASE BASE INSERT
- QTY. 2 F) BALL COVER
- QTY. 1 G1) BALL LEFT
- QTY. 1 G2) BALL RIGHT
- QTY. 2 H) STOPPER

BEFORE YOU BEGIN ASSEMBLY:

- Check that all materials are included in your kit.
- Please read through the instructions before you begin assembly.
- Make sure that your work area is spacious enough to assemble the item.
- Assembly time should be about 30 minutes for two people.

HELPFUL TIPS:

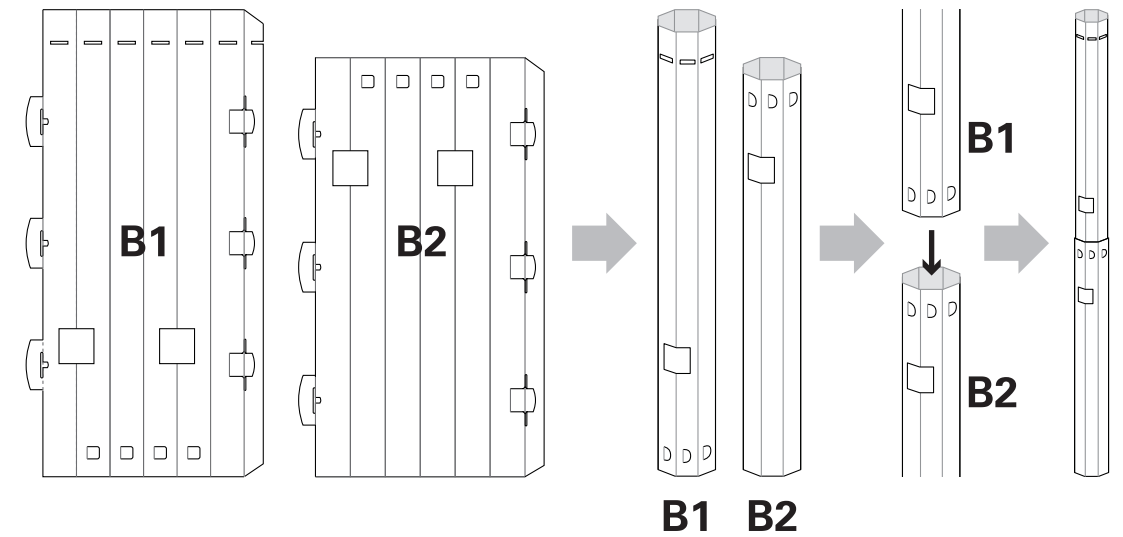
- When folding the pieces make sure the print is facing outward.
- Follow the diagram below to insert and close the tab openings.



STEP 1:

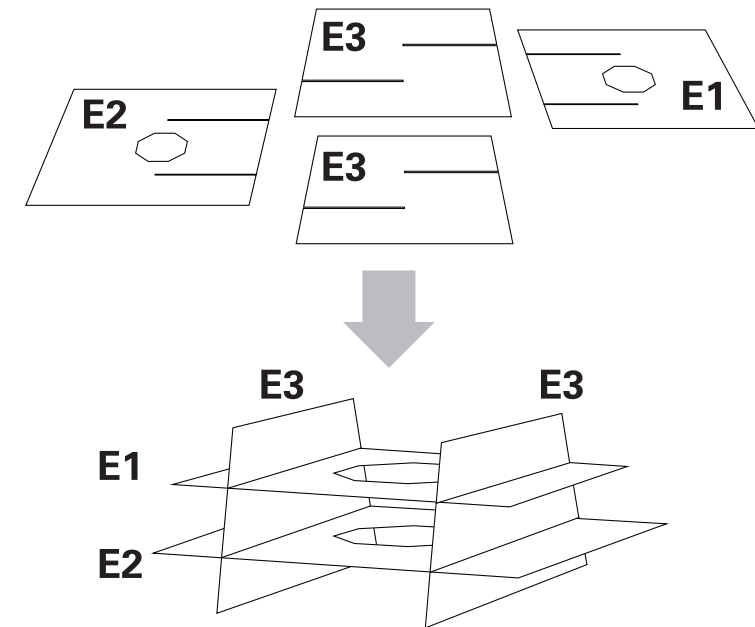
Fold pieces B1 and B2 along the score lines and secure the tabs to create two cylinder tubes.

Align the seams and insert B1 into the top of B2 to create a post. Secure together by pushing the side tabs inward.



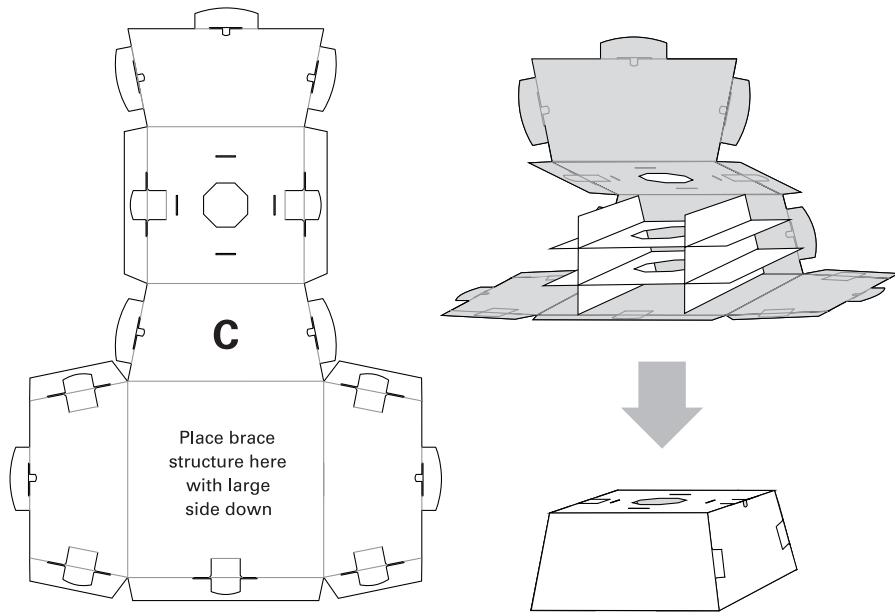
STEP 2:

To create the brace structure, slide E2 into the slits on the bottom of the two E3 pieces. Then slide E1 into the top slits on E3 as shown below.



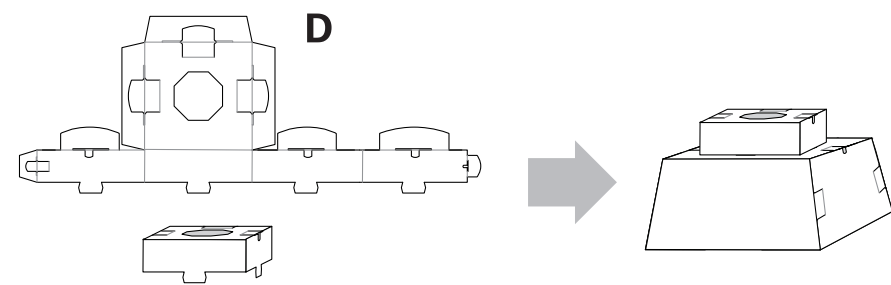
STEP 3:

With the printed side of C facing downward, place the brace structure onto the largest area. Fold up the sides and insert the tabs to create the base piece.



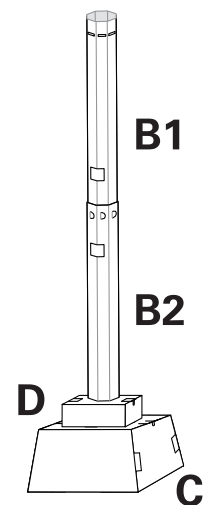
STEP 4:

Fold D into a box shape. Insert into the top of the base.



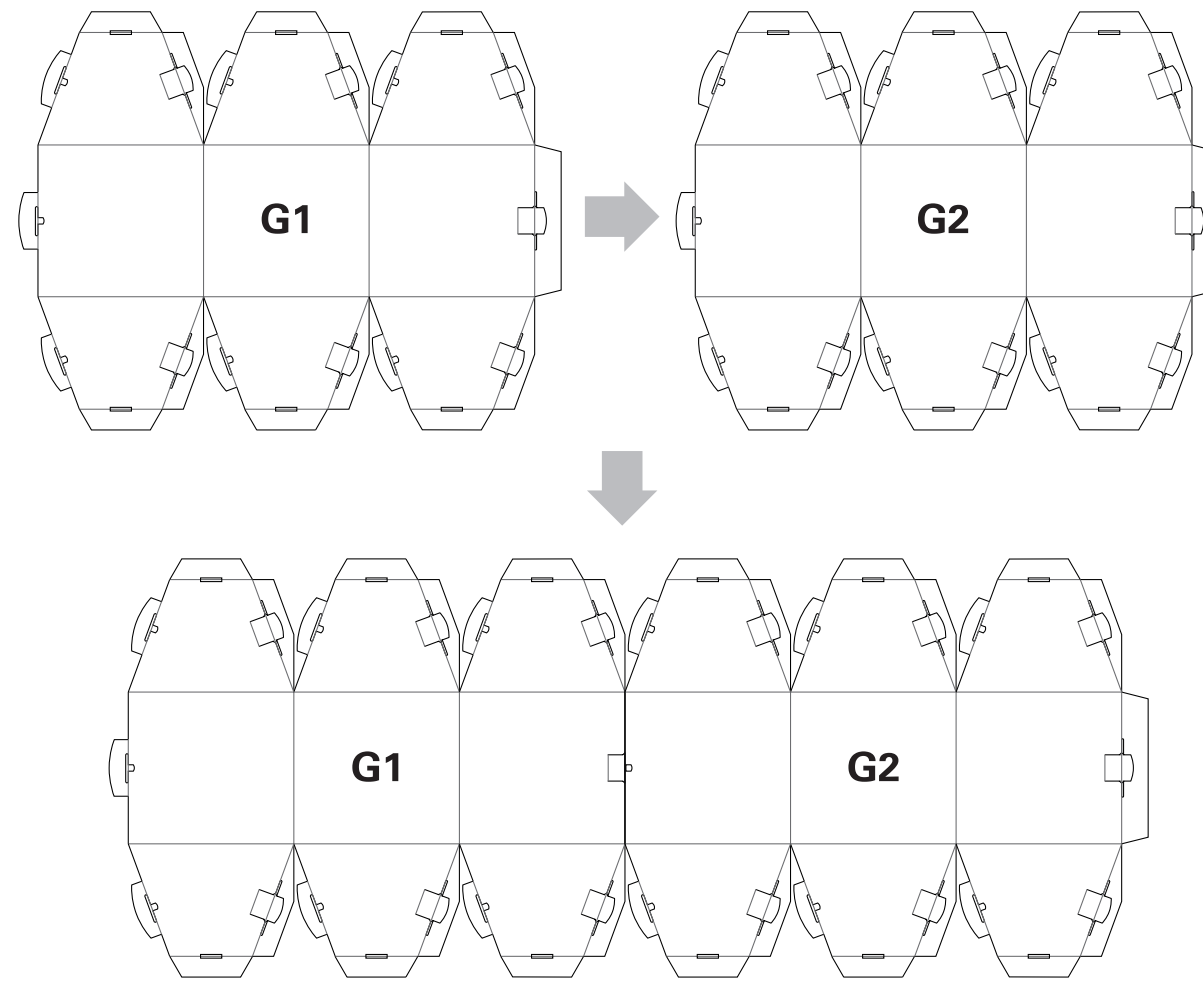
STEP 5:

Insert the post into the base as shown.



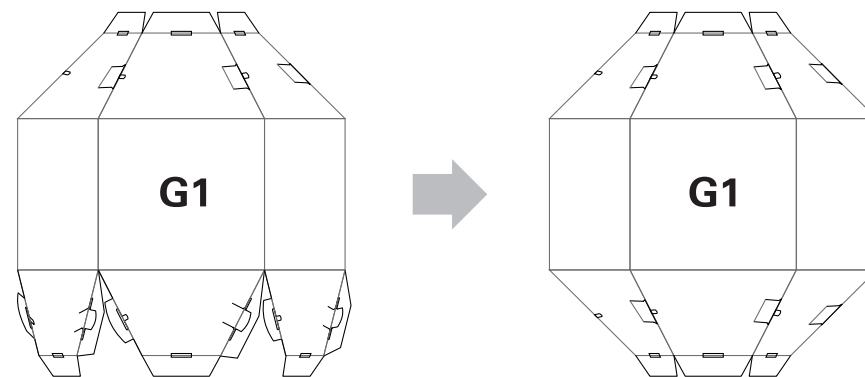
STEP 6:

With the printed surface side up, attach these pieces together by inserting the side tab of piece G1 to G2.



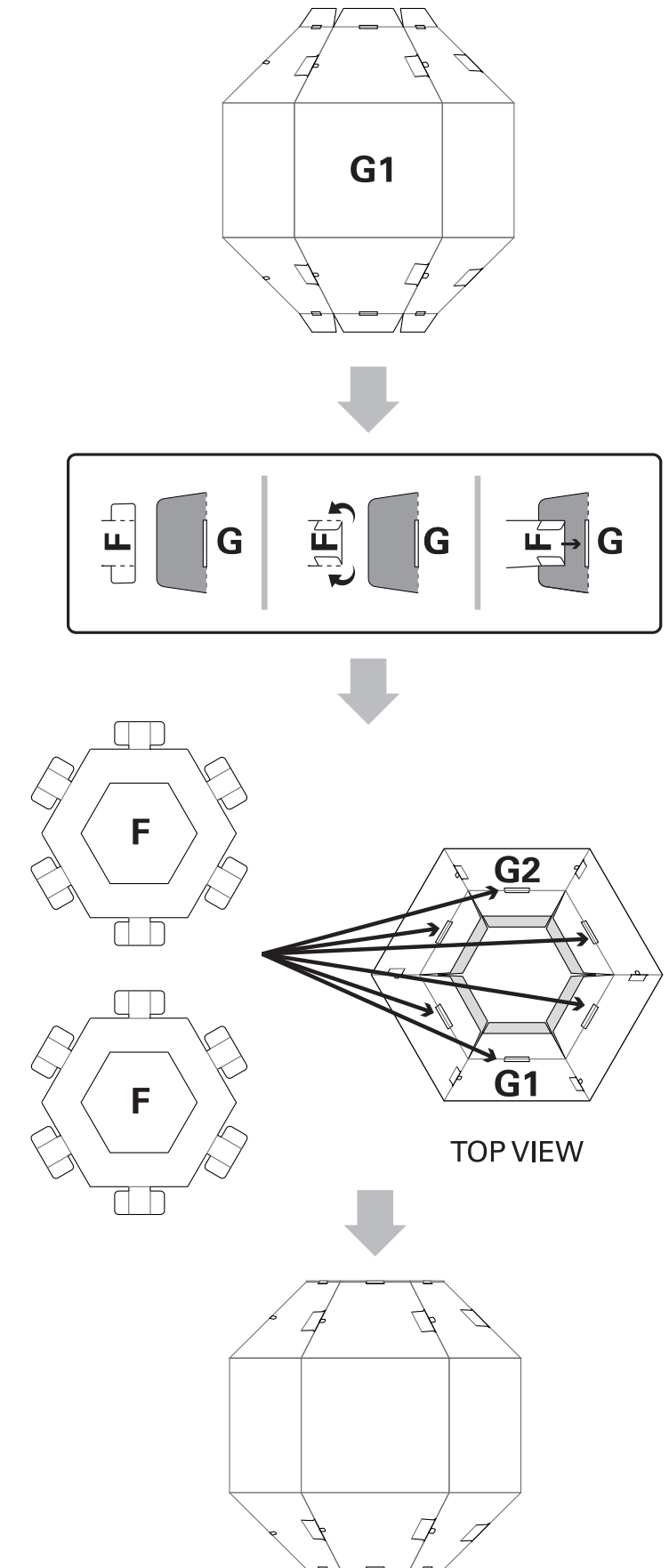
STEP 7:

Fold along the score lines of pieces G. Start by inserting the tabs on top, then repeat on the bottom.

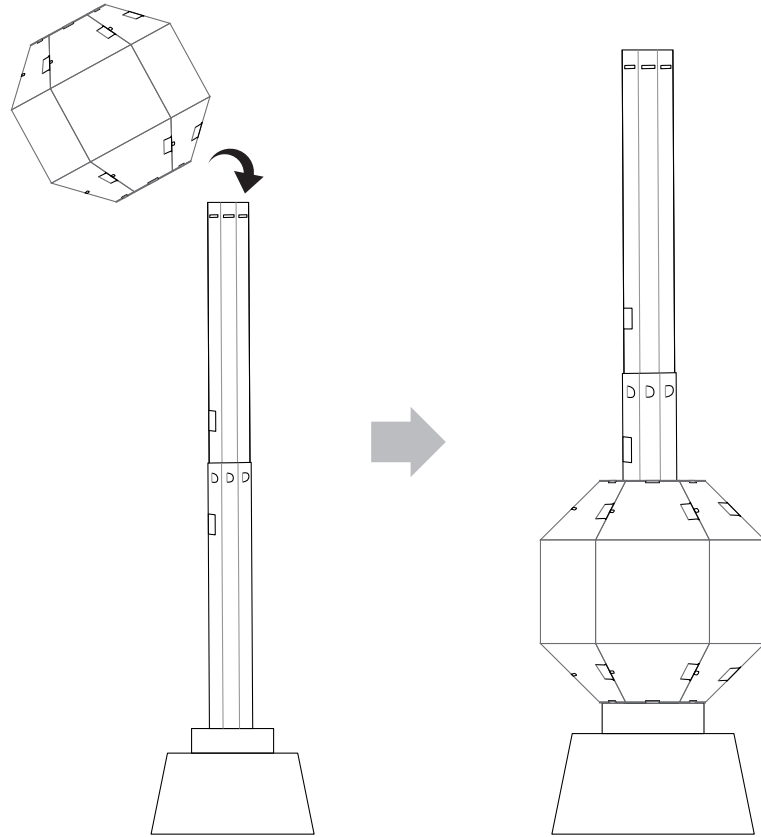


STEP 8:

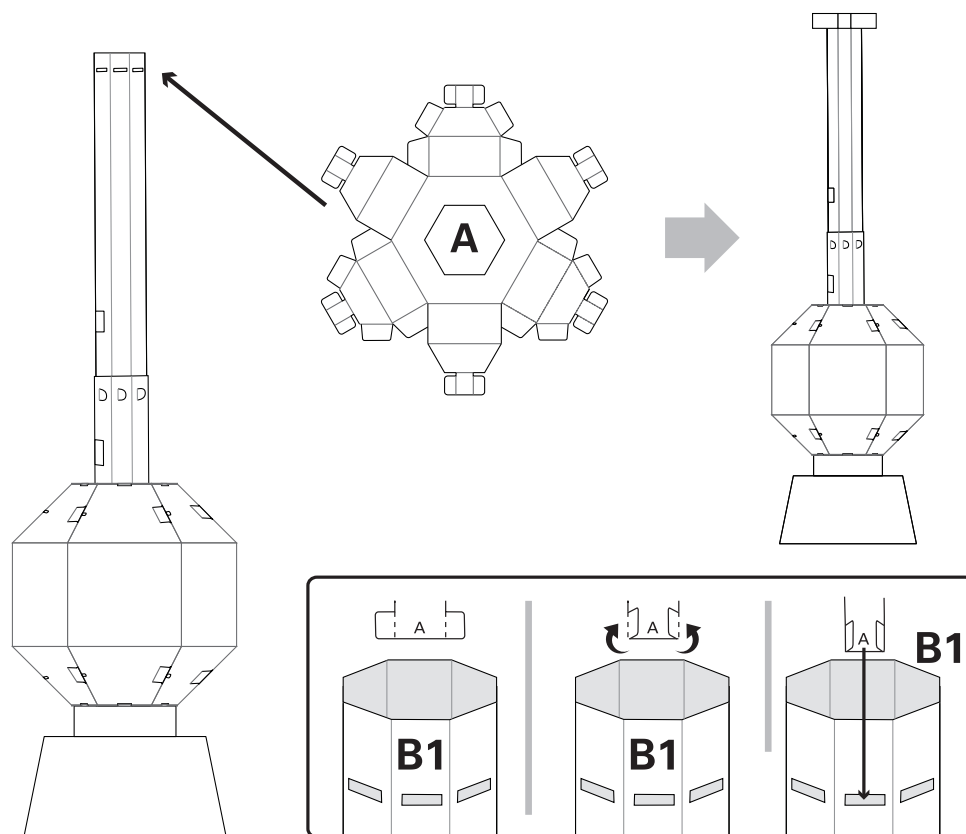
Secure the ball structure by attaching piece F to the top and bottom of the ball. Insert all tabs of pieces F to G.



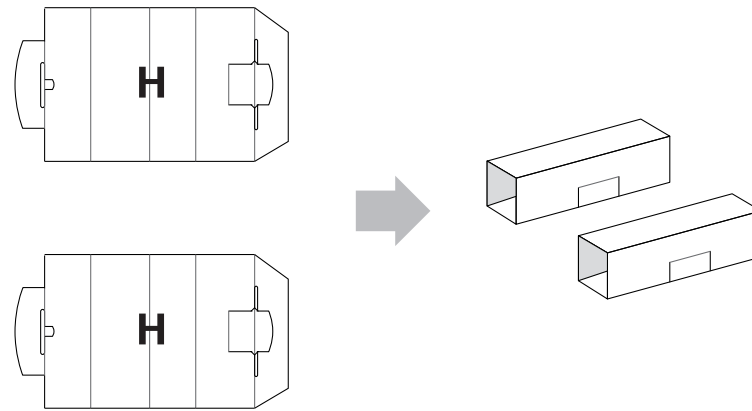
STEP 9:
Slide the ball into the assembled post.



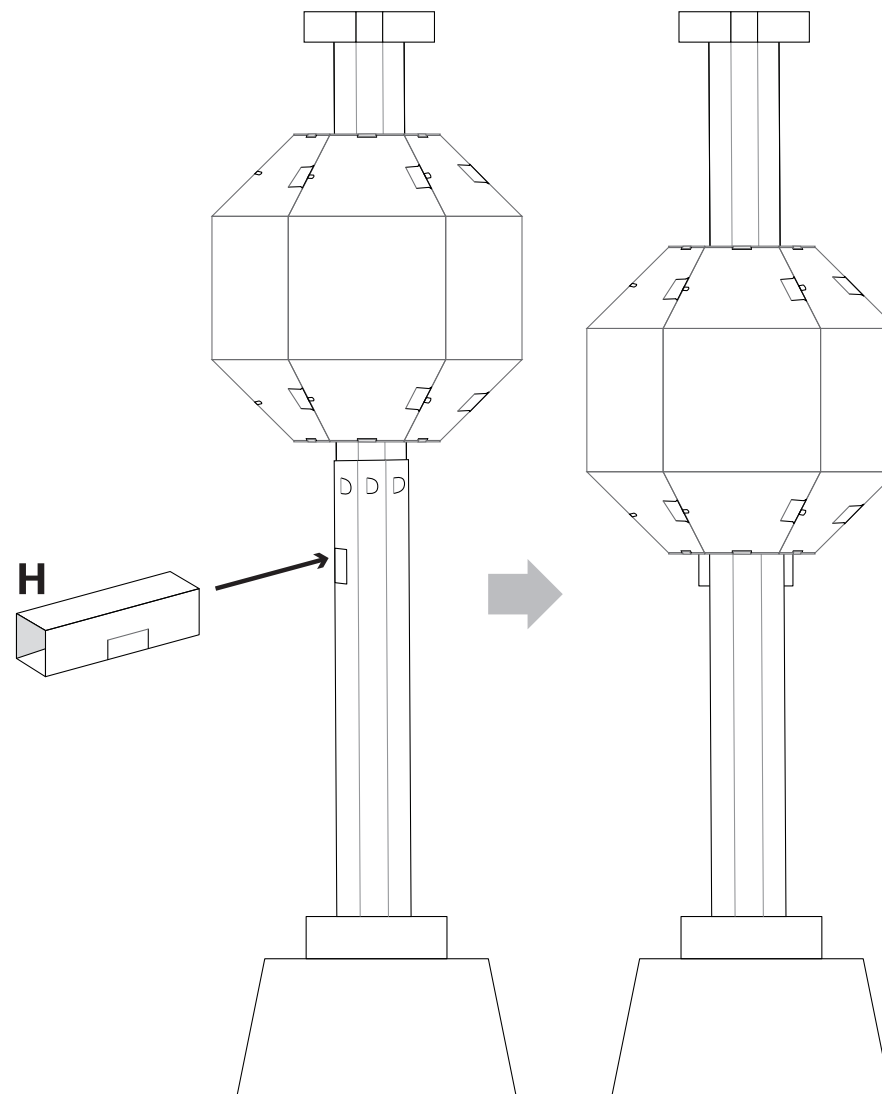
STEP 10:
Insert the tabs of piece A into the slots of B1.



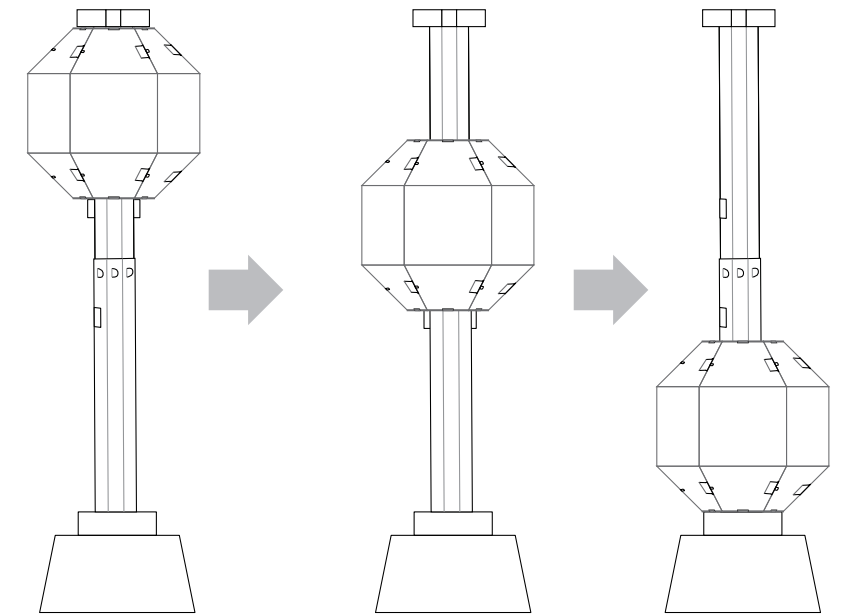
STEP 11:
Score along the lines of piece H to create a beam.



STEP 12:
Move the ball upwards to desired height, and insert beam to hold the ball in position.



STEP 13:
This stand-up is moveable and therefore the ball can be placed at three different positions.



Your 3D Moveable NYE Ball Drop Stand-up is finished!

Have fun with your new stand-up!

Use it as a display piece or as part of a scene.

WARNING!!!
THIS STAND-UP
IS NOT CAPABLE
OF SUSTAINING
HEAVY WEIGHTS.

