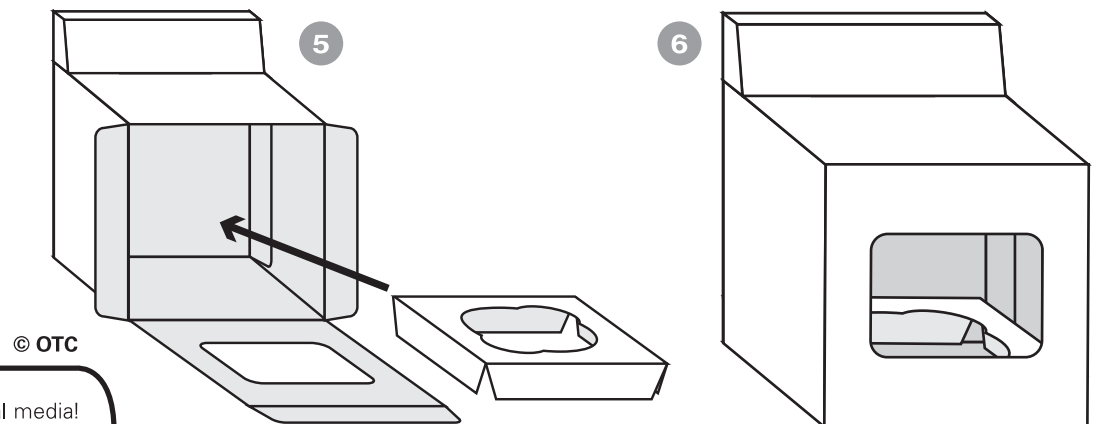
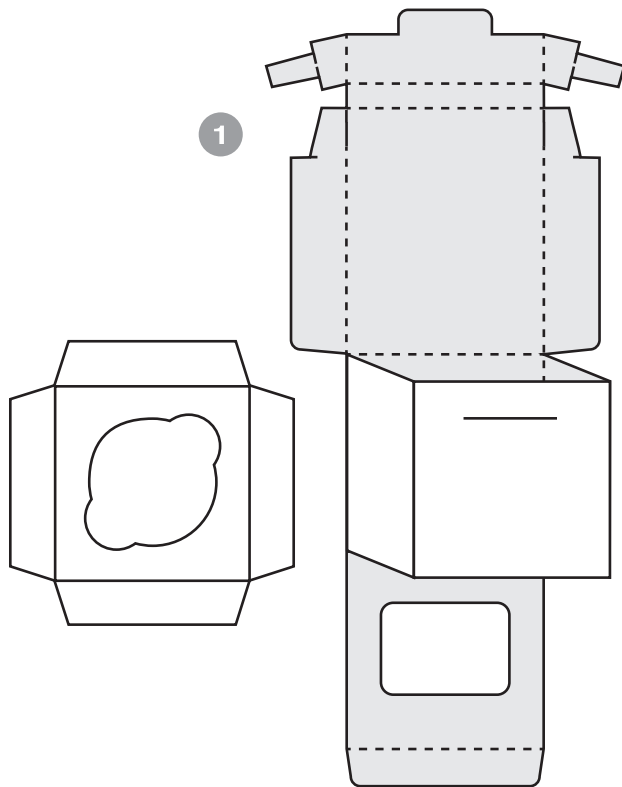
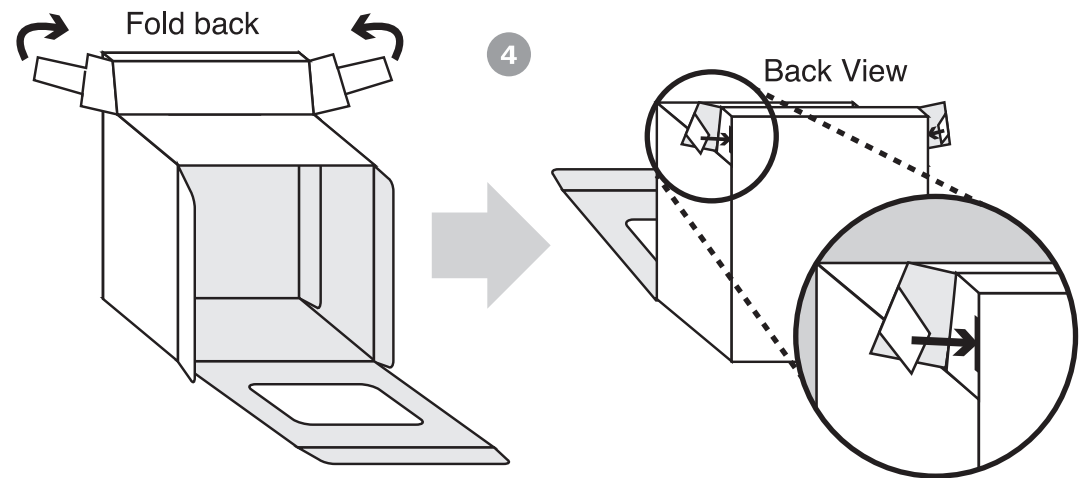
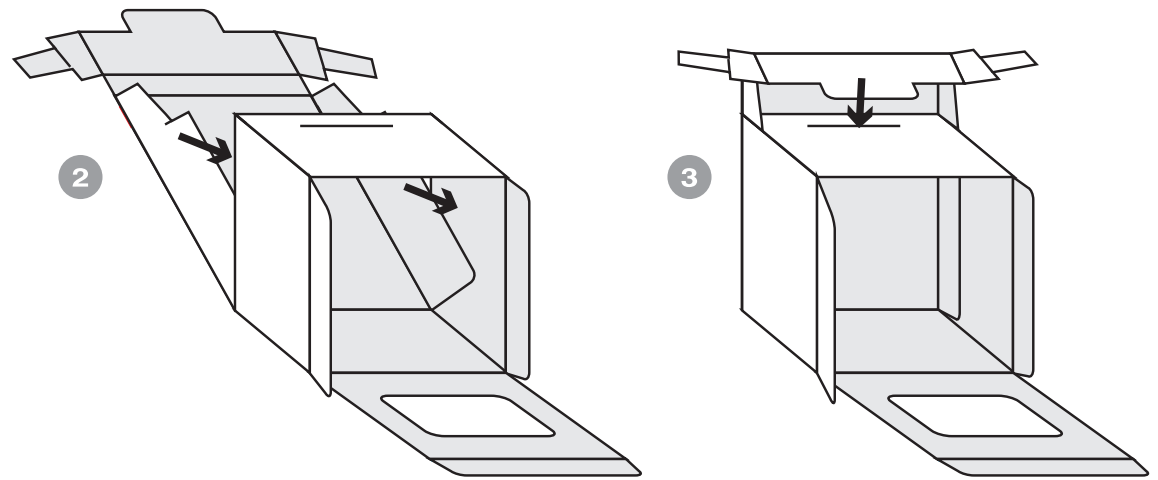


13957198 Oven Cupcake Box Instructions

1. Fold along the score lines and pop up the center of the box.
2. Fold the side tabs inward and insert them into the back of the box as shown.
3. Fold the top area up and over and insert the center tab into the top of the box.
4. Fold the small side tabs backward and insert them into the slits on the side of the box.
5. Fold and insert the cupcake stand into the box. Place your cupcake inside the insert.
6. Fold in the side tabs and fold up the front flap. To close insert the top tab.

Fun Tip: Use a fun sticker to hold the lid closed.



© OTC