

# 13956827 Christmas Swirl Pop Stand-Ups Instructions

©2020 Oriental Trading Company, Inc.  
OrientalTrading.com (800) 228-2269

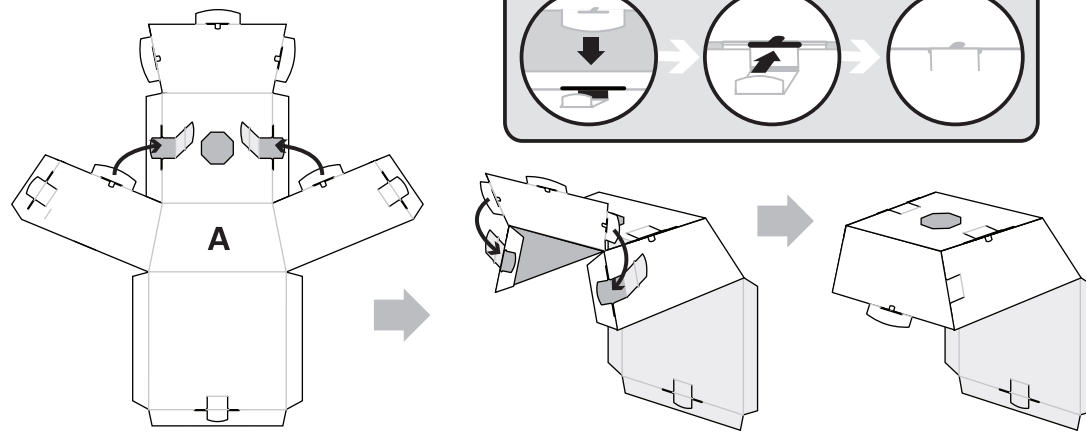
## COMPONENTS LIST

- QTY. 3 A) BASE
- QTY. 3 B) BASE INSERT
- QTY. 1 C) SMALL POST
- QTY. 1 D) MEDIUM POST
- QTY. 1 E) LARGE POST
- QTY. 3 F) POST CAP
- QTY. 3 G) SWIRL POP BRACE
- QTY. 3 H) SWIRL POP (FRONT AND BACK)

### BEFORE YOU BEGIN ASSEMBLY:

- Check that all materials are included in your kit.
- Please read through the instructions before you begin assembly.
- Make sure that your work area is spacious enough to assemble the item.
- Assembly time should be about 30 minutes for two people.

**STEP 1:**  
Fold A along the score lines and secure the side tabs to create an open box shape.

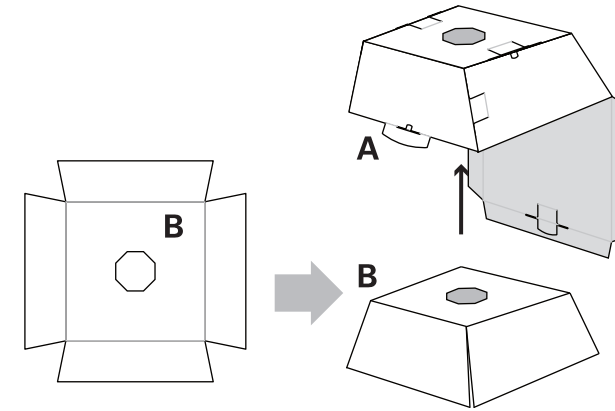


### HELPFUL TIPS:

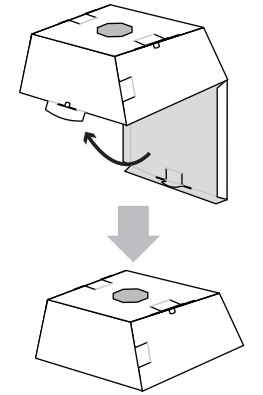
- When folding the pieces make sure the print is facing outward.
- Follow the diagram below to insert and close the tab openings.



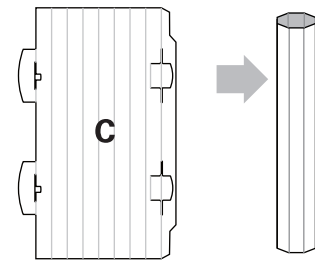
**STEP 2:**  
Fold B into a box shape and insert into the bottom of A as shown.



**STEP 3:**  
Close the bottom of A.  
Repeat steps 1, 2 and 3 to create three bases.

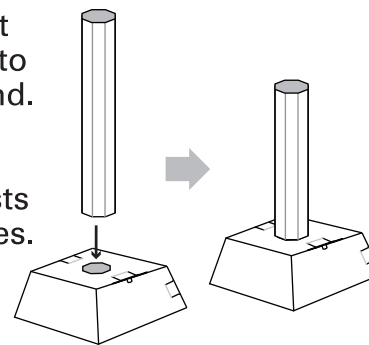


**STEP 4:**  
Fold C along the score lines and secure the tabs to create a cylinder post.



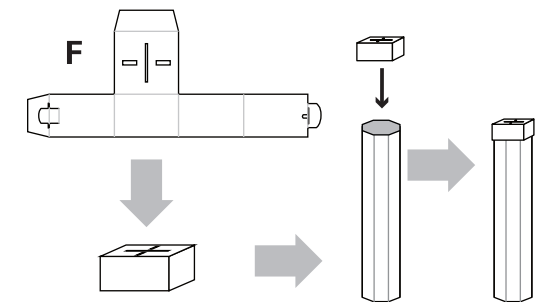
Repeat Step 4 with D and E to create three total posts.

**STEP 5:**  
Insert one post into one base to create the stand.



Repeat for remaining posts and base pieces.

**STEP 6:**  
Fold F along the score lines and secure the side tabs to create a box.

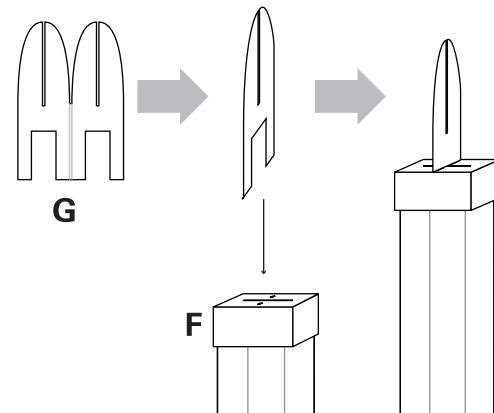


Repeat to create a total of three.

Slide one onto the top of each post.

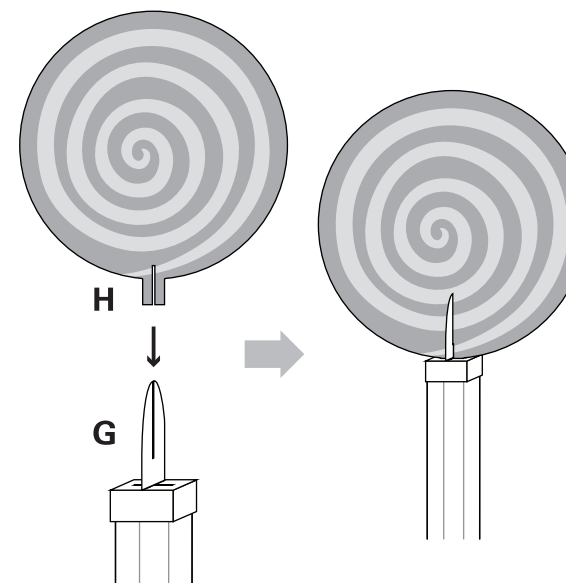
**STEP 7:**  
Fold G in half and insert into the two slits on the top of F.

Repeat for other G pieces.



**STEP 8:**  
Slot together G and H and slide H into the single slit on the top of F.

Repeat for other H pieces.



## Your Swirl Pops are finished!

Have fun with your new stand-ups!

Use them as display pieces or as part of a scene.

