

13949010 Carnival Vendor Stand-Up Instructions

©2019 Oriental Trading Company, Inc.
 OrientalTrading.com (800) 228-2269

COMPONENTS LIST

- QTY. 1 A) FRONT LEFT TOP POST
- QTY. 1 B) FRONT LEFT BOTTOM POST
- QTY. 1 C) FRONT RIGHT TOP POST
- QTY. 1 D) FRONT RIGHT BOTTOM POST
- QTY. 1 E) BACK LEFT TOP POST
- QTY. 1 F) BACK LEFT BOTTOM POST
- QTY. 1 G) BACK RIGHT TOP POST
- QTY. 1 H) BACK RIGHT BOTTOM POST
- QTY. 1 I) CENTER SMALL WALL
- QTY. 1 J) SHELF
- QTY. 2 K) SIDE WALL BOTTOM
- QTY. 2 L) SIDE WALL TOP
- QTY. 1 M) CENTER ROOF
- QTY. 1 N) RIGHT ROOF
- QTY. 1 O) LEFT ROOF

BEFORE YOU BEGIN ASSEMBLY:

- Check that all materials are included in your kit.
- Please read through the instructions before you begin assembly.
- Make sure that your work area is spacious enough to assemble the item.
- Assembly time should be about 30 minutes for two people.

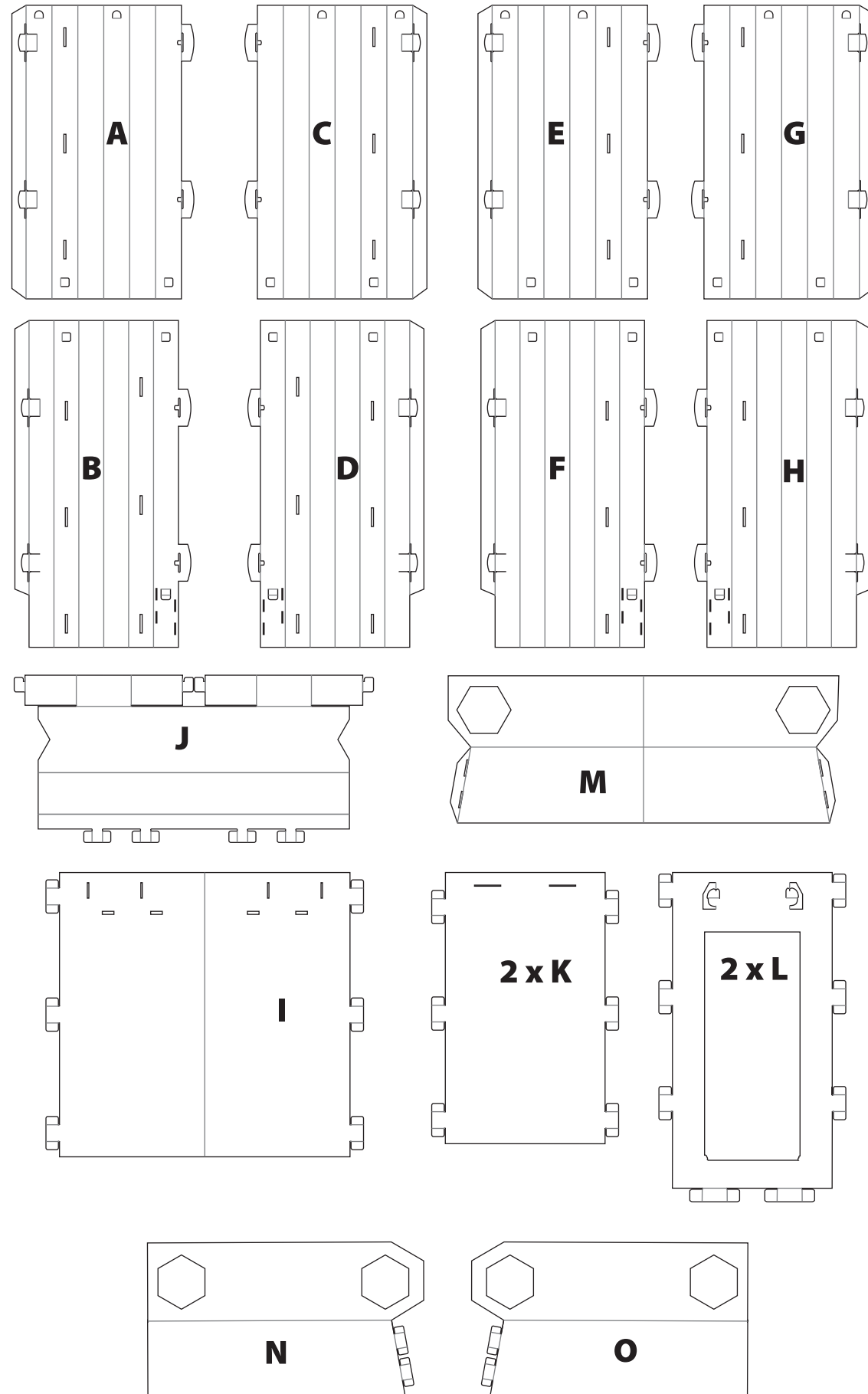
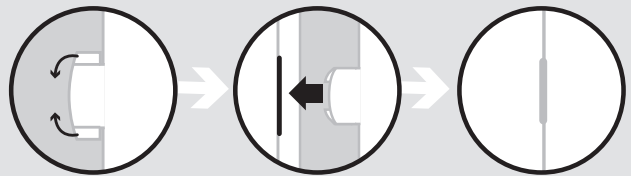
HELPFUL TIPS:

- When folding the pieces make sure the print is facing outward.
- Follow the diagram below to insert and close the tab openings.



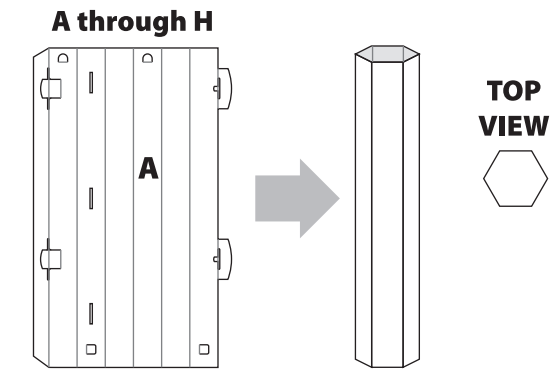
HELPFUL TIPS:

- When folding the pieces make sure the print is facing the same direction.
- Follow the diagrams below to insert the tabs into the tab openings.



STEP 1:

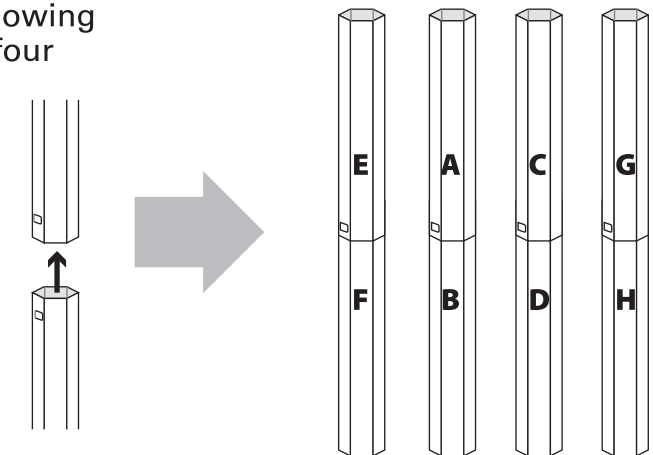
Fold pieces A through H along the score lines and form into a hexagon tube. Secure the tabs.



STEP 2:

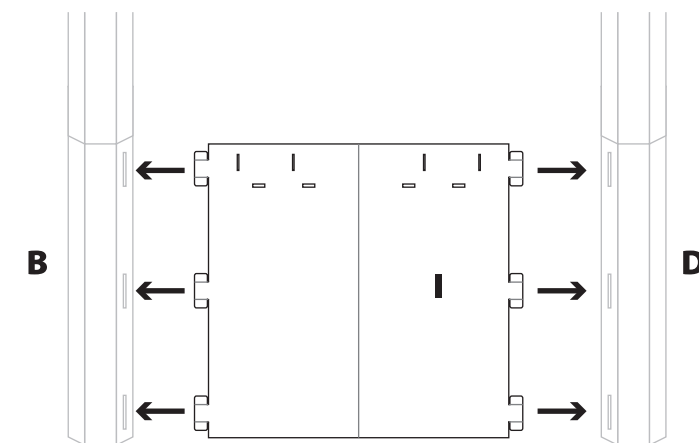
Slide A over B to make one post, lining up the seams and the square side tabs. Press the side tabs inward to secure the post together.

Repeat with the following to create a total of four posts:
 C over D,
 E over F,
 G over H



STEP 3:

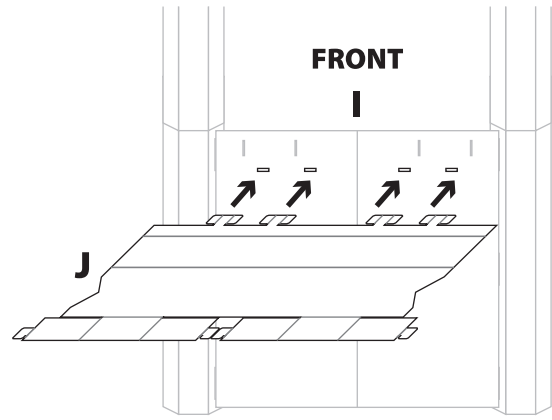
Connect B and D together by inserting I. Insert I into the side of the post with only the three bottom tabs.



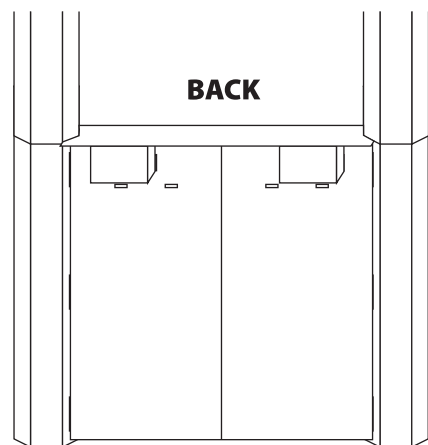
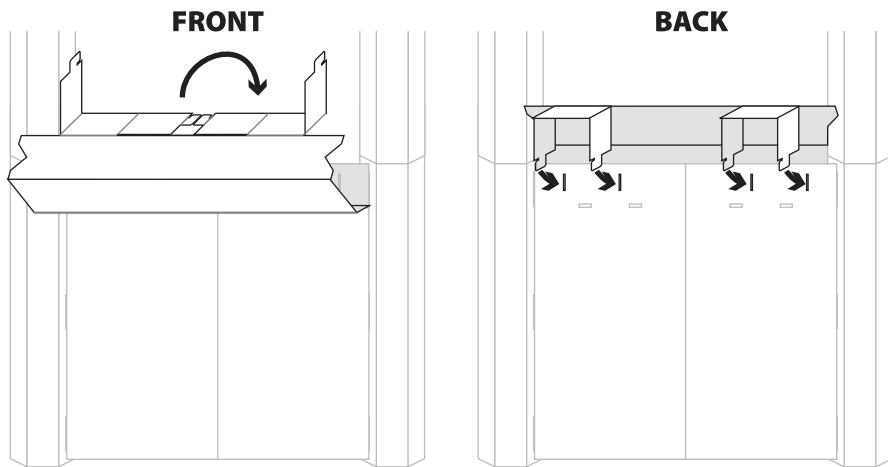
13949010 Carnival Vendor Stand-Up Instructions

©2019 Oriental Trading Company, Inc.
OrientalTrading.com (800) 228-2269

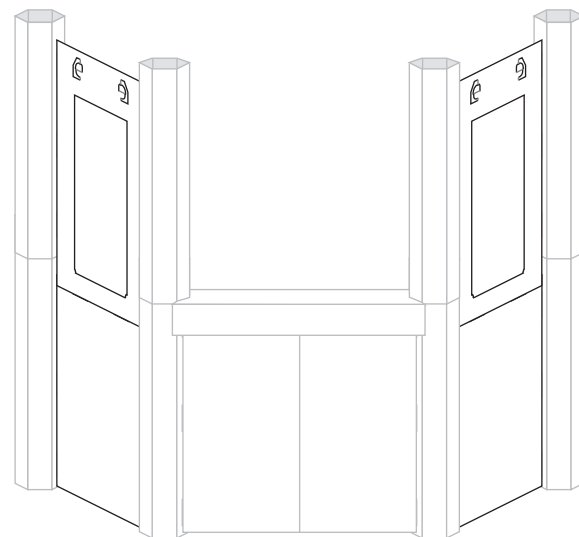
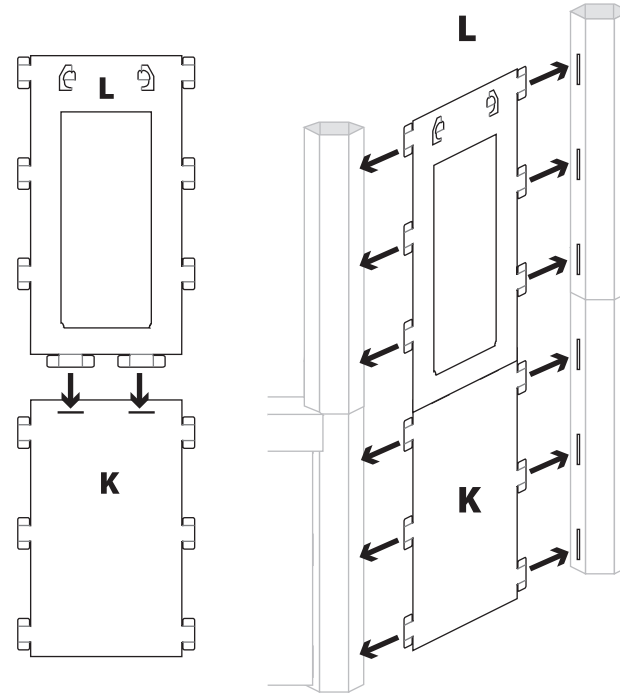
STEP 4:
Fold J along the score lines. With the print side facing downward, insert the small tabs into the corresponding horizontal slits on the front of I.



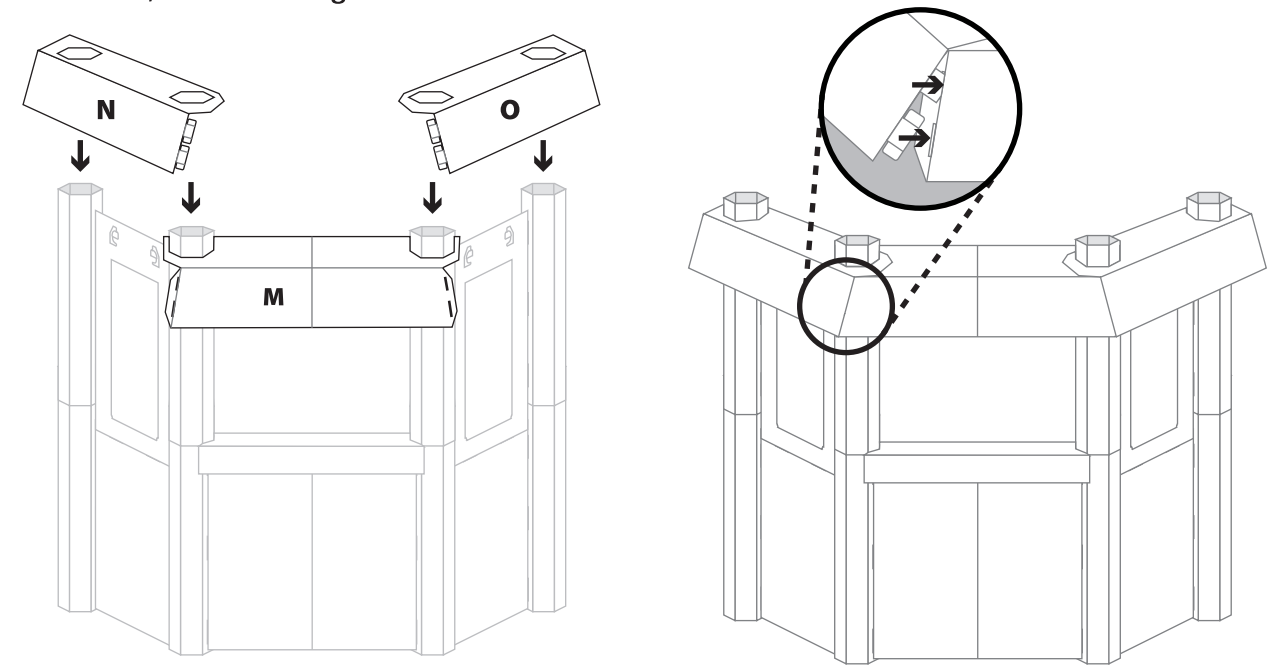
Flip J through the posts from the front to the back. (Now the print will be facing outward.) On the back, fold the larger flaps downward and insert into the corresponding vertical slits to create a shelf.



STEP 5:
Insert the tabs on the bottom of L into the front of K to create a wall. Repeat with other L and K pieces for a total of two walls. Insert each wall into the posts as shown.



STEP 6:
Place M on the top of the two center posts followed by N and O. Once in place secure M, N and O together with the tabs.



Your Carnival Vendor Stand-Up is finished!

Have fun with your new Stand-Up!
Use it as a display piece or as part of a scene.

WARNING!!!
THIS STAND-UP IS NOT CAPABLE
OF SUSTAINING HEAVY WEIGHTS.

