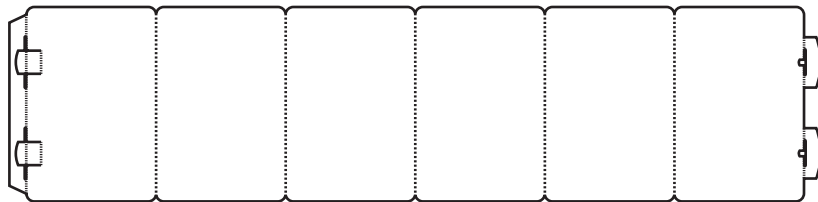
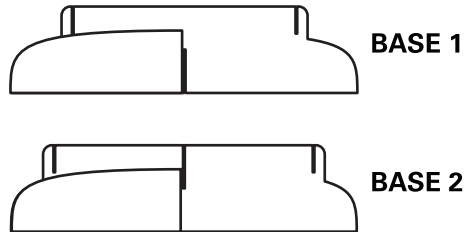


13944307 International Games Centerpiece Instructions

©2019 Oriental Trading Company, Inc.
OrientalTrading.com (800)-228-2269

COMPONENTS LIST

QTY. 1	PRINTED CARDTOPPER
QTY. 1	BASE PIECE #1
QTY. 1	BASE PIECE #2

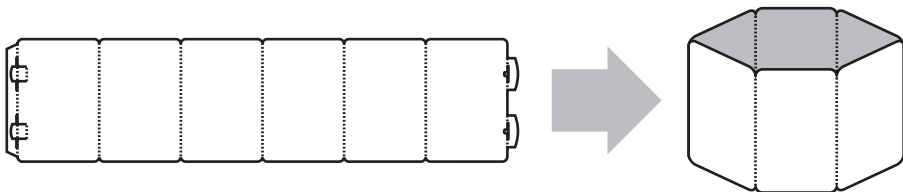


BEFORE YOU BEGIN ASSEMBLY:

- Check that all materials are included in your kit.
- Please read through the instructions before you begin assembly.
- Assembly time should be less than 5 minutes for one person.

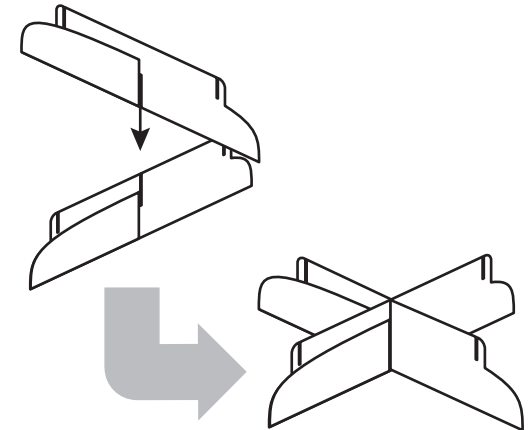
STEP 1:

Fold the PRINTED CARDTOPPER along the score lines to form a hexagon shape. Fasten the hexagon shape securely together by inserting the two small tabs into the two slot openings.



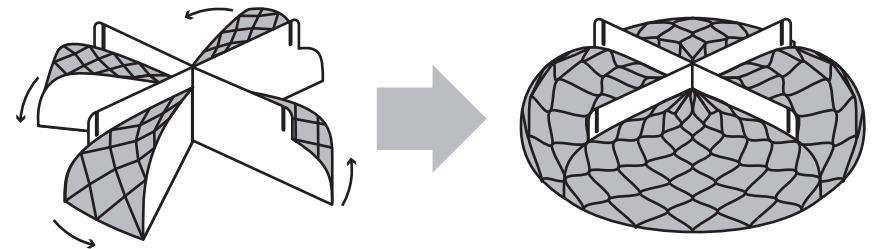
STEP 2:

Align the slots in BASE 1 and BASE 2 and connect the two pieces by sliding BASE 1 into BASE 2 creating an "X" shape.



STEP 3:

Pull all four tissue sections out from the ends of both BASE 1 and BASE 2 and secure each section to the panel across from it using the double sided tape tabs provided.



STEP 4:

Slide the hexagon shaped PRINTED CARDTOPPER into the four slots of the BASE to complete the centerpiece.

Your International Games Centerpiece is Finished!

