

# 13944176 Western Ranch Cardboard Gate Instructions

©2019 Oriental Trading Company, Inc.  
OrientalTrading.com (800) 228-2269

## COMPONENTS LIST

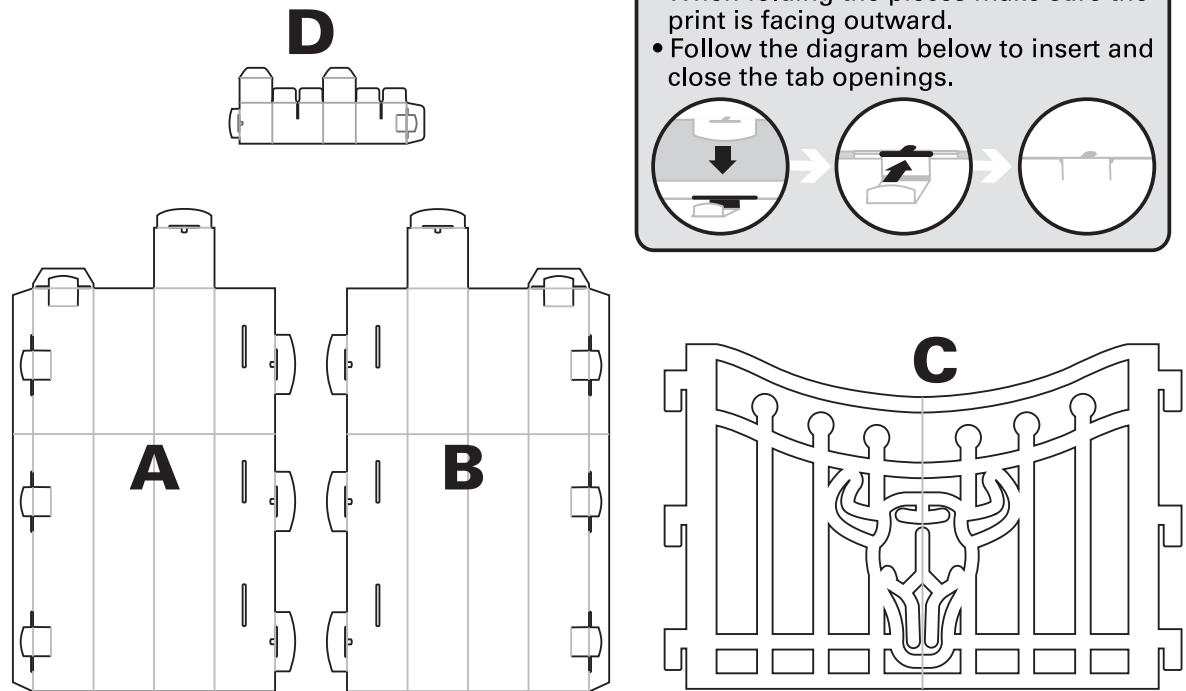
- QTY. 1 A) LEFT POST
- QTY. 1 B) RIGHT POST
- QTY. 1 C) GATE
- QTY. 1 D) BRACE

### BEFORE YOU BEGIN ASSEMBLY:

- Check that all materials are included in your kit.
- Please read through the instructions before you begin assembly.
- Make sure that your work area is spacious enough to assemble the item.
- Assembly time should be about 30 minutes for two people.

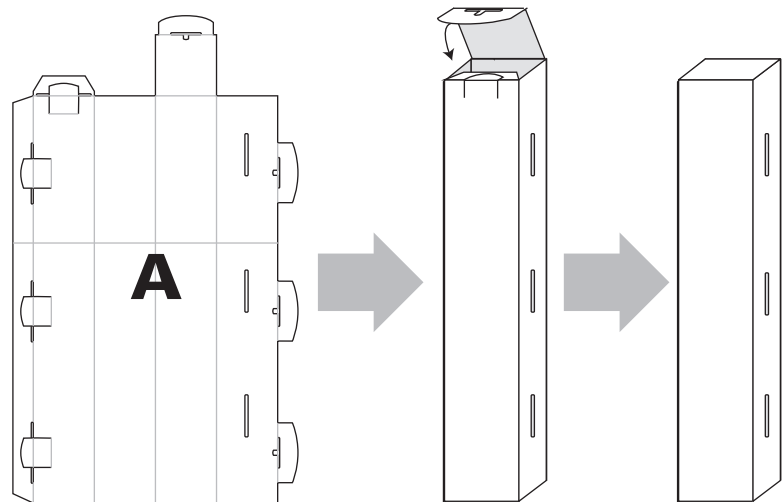
### HELPFUL TIPS:

- When folding the pieces make sure the print is facing outward.
- Follow the diagram below to insert and close the tab openings.

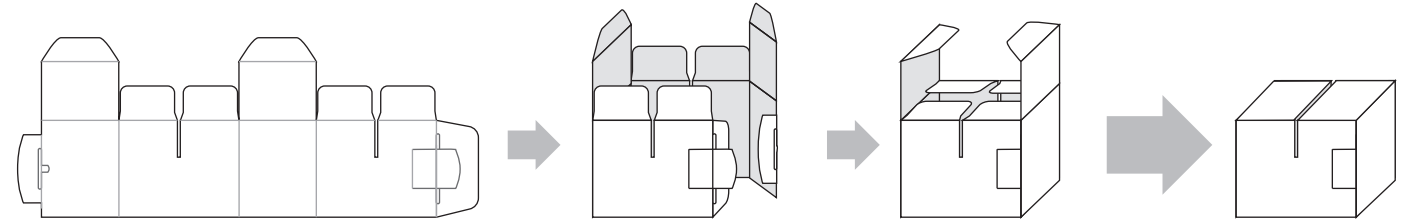


**STEP 1:**  
Fold pieces A and B along the score lines and form into square tubes. Secure the tabs.

Secure the top tabs to create the top of the post.

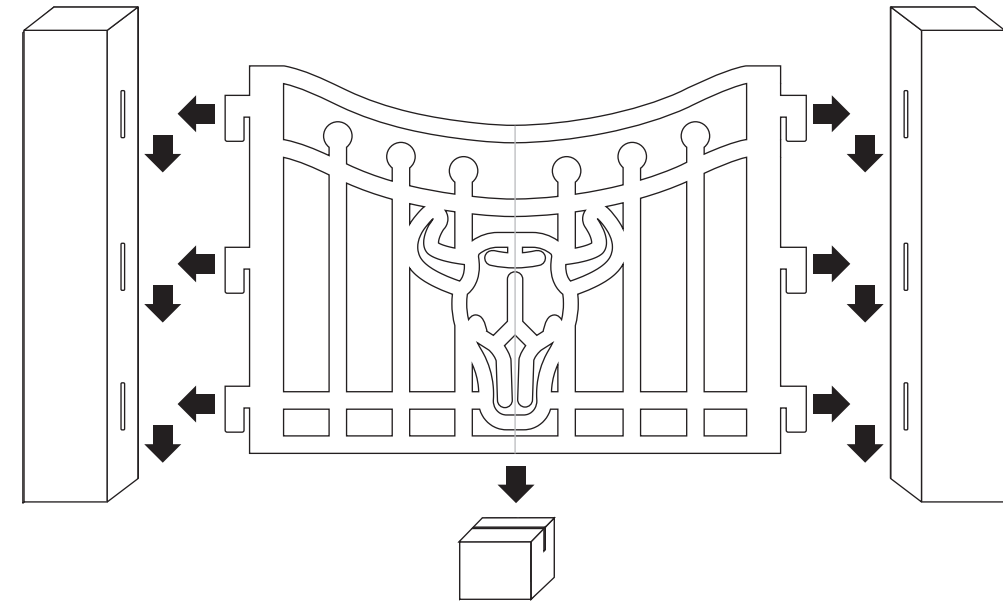


**STEP 2:**  
Fold D into a box shape as shown.



**STEP 3:**  
Insert the side tabs of piece C into the slits on the side of the assembled posts. Slide down to secure in place.

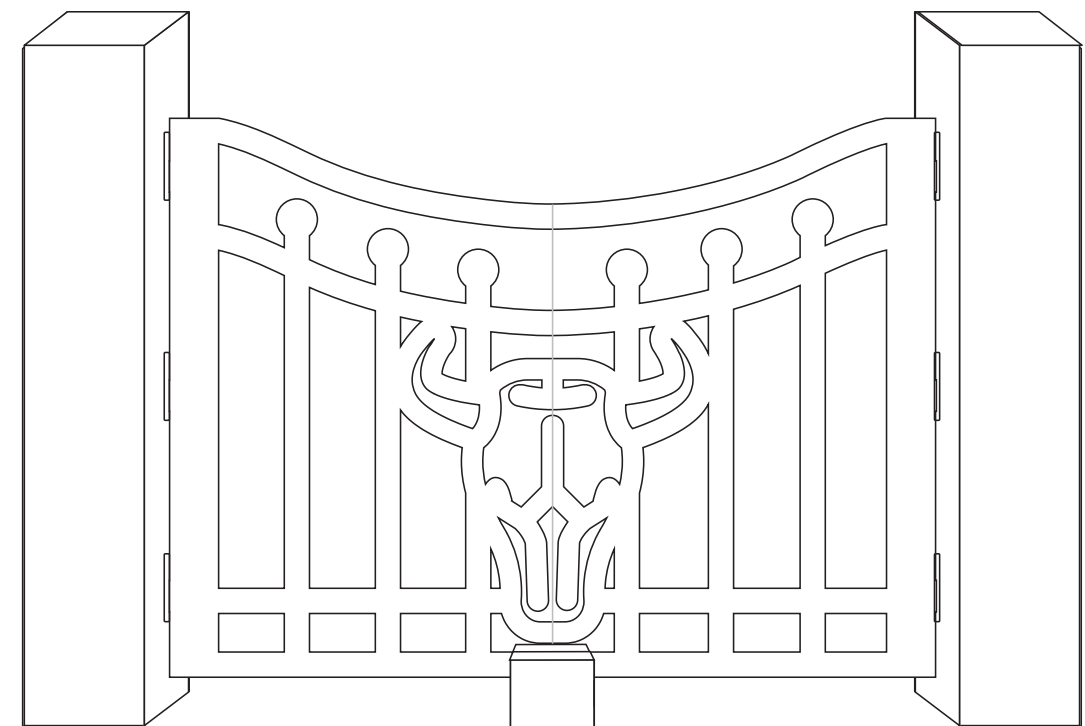
Place the center of C into the slit on the top of piece D for support.



**Your gate is finished!**

Have fun with your new gate!

Use it as a display piece or as part of a scene.



**WARNING!!!**  
THIS STAND-UP IS NOT CAPABLE OF SUSTAINING HEAVY WEIGHTS.