

# 13944173 Western Ranch Faux Wood Arch

©2019 Oriental Trading Company, Inc.

OrientalTrading.com (800) 228-2269

## COMPONENTS LIST

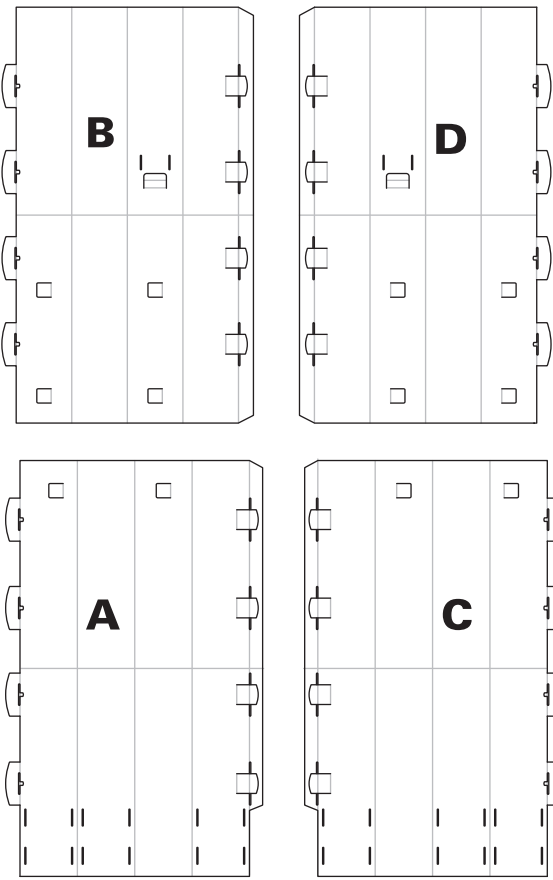
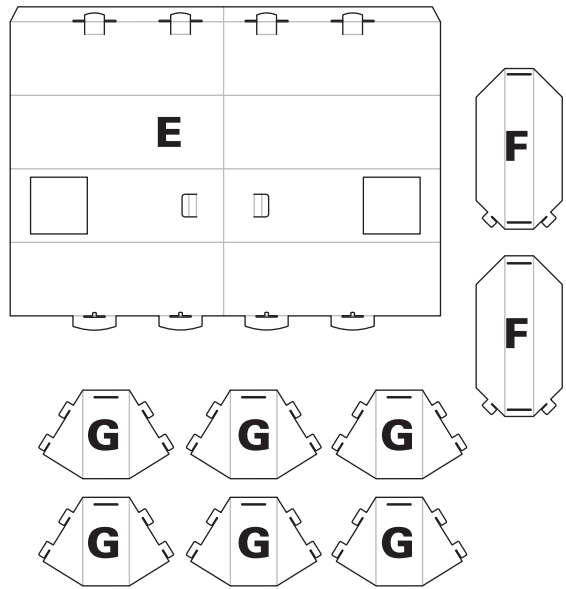
- QTY. 1 A) BOTTOM POST LEFT
- QTY. 1 B) TOP POST LEFT
- QTY. 1 C) BOTTOM POST RIGHT
- QTY. 1 D) TOP POST RIGHT
- QTY. 1 E) BEAM
- QTY. 2 F) INSIDE BEAM SUPPORT
- QTY. 6 G) POST BRACE

### BEFORE YOU BEGIN ASSEMBLY:

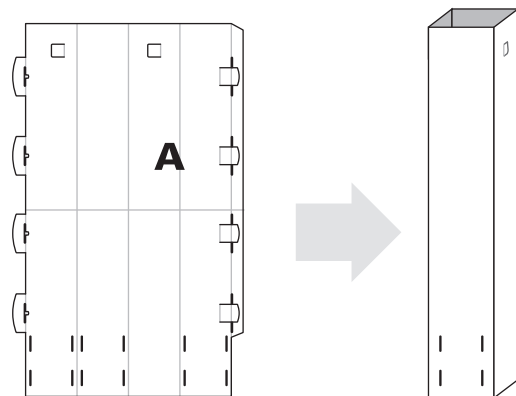
- Check that all materials are included in your kit.
- Please read through the instructions before you begin assembly.
- Make sure that your work area is spacious enough to assemble the item.
- Assembly time should be about 30 minutes for two people.

### HELPFUL TIPS:

- When folding the pieces make sure the print is facing outward.
- Follow the diagram below to insert and close the tab openings.



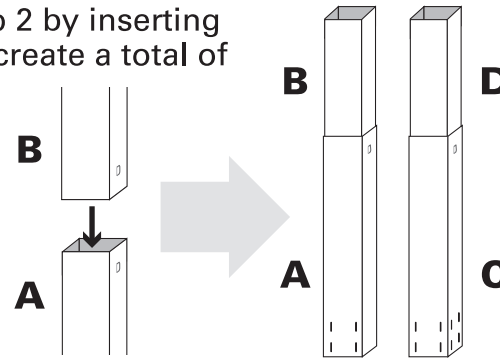
**STEP 1:**  
Fold pieces A, B, C and D along the score lines and insert the tabs to form square tubes



### STEP 2:

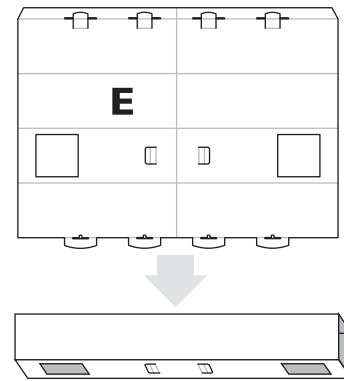
To make one post, slide B into A by lining up the square side tabs. Height is adjustable. Slide B down to desired height lining up the tabs on B with the tabs on A.

Repeat Step 2 by inserting D into C to create a total of two posts.



### STEP 3:

Fold E along the score lines and secure the tabs to form a square tube.

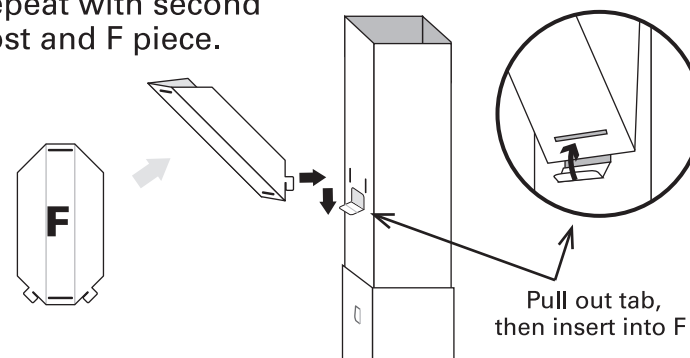


### STEP 3:

Pull the tab on one post outward as shown.

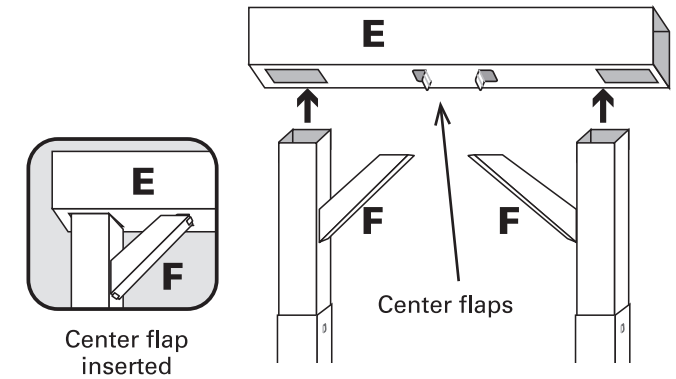
Fold F along the score lines and insert the tabs into the slits on the post and push downward. To secure insert the tab on the post into the slit on the bottom of F.

Repeat with second post and F piece.



### STEP 4:

Pull out the center flaps on E. Insert each post into the square holes on the bottom of E. Once inserted, attach F with the center flaps.

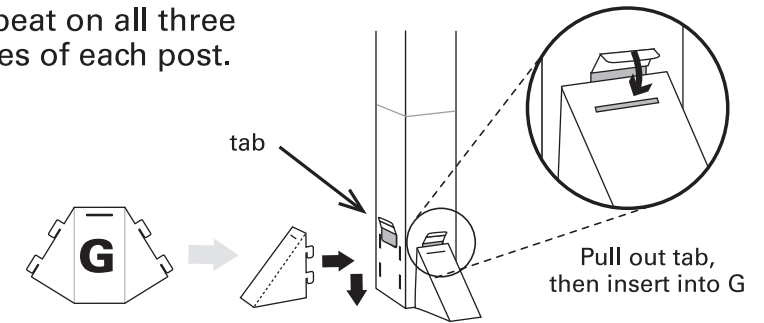


**Helpful Tip:**  
Assemble on the floor.

### STEP 6:

Pull the tabs at the bottom of the posts outward. Fold G along the score lines to form triangular box shapes and then insert them into the four slot openings and push downward. To secure G in place insert the tab on the post into the slit on G.

Repeat on all three sides of each post.



## Your arch is finished!

Have fun with your new arch!

Use it as a display piece or as part of a scene.

**WARNING!!!**  
THIS ITEM IS NOT CAPABLE OF SUSTAINING HEAVY WEIGHTS.

