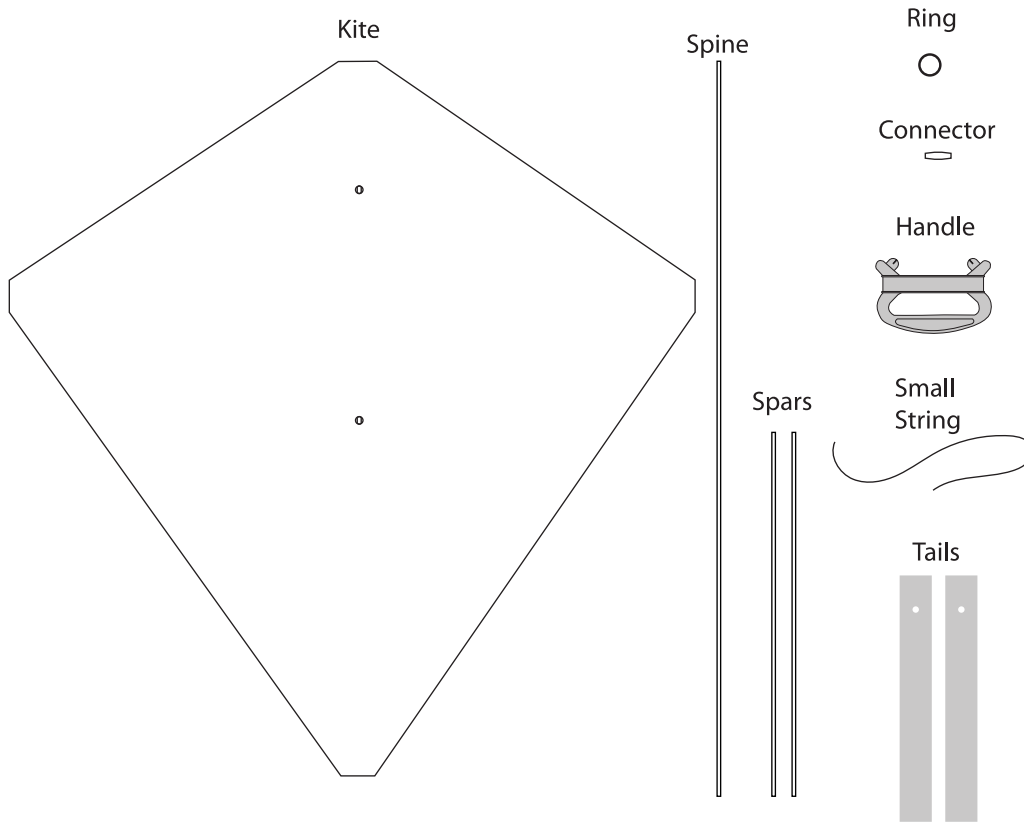


Kite Instructions

Some assembly required:



1. Slide the connector and tails onto the spine, and then connect the spine to the top and bottom slots of the kite.
2. Connect the two spars into the connector and the side slots of the kite (note direction of connector in top view).
3. Insert the small string into the two holes on the kite. Thread the ring onto the string (do not tie it to the ring), and then tie the two ends of the string together. The ring should be on the front side of the kite. Tie the string from the handle onto the ring.
4. Have fun!

