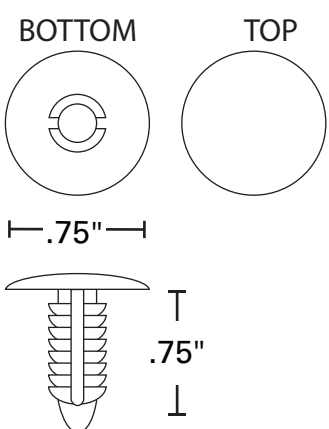


SHOWN ASSEMBLED
WITH SIZE REFERENCE



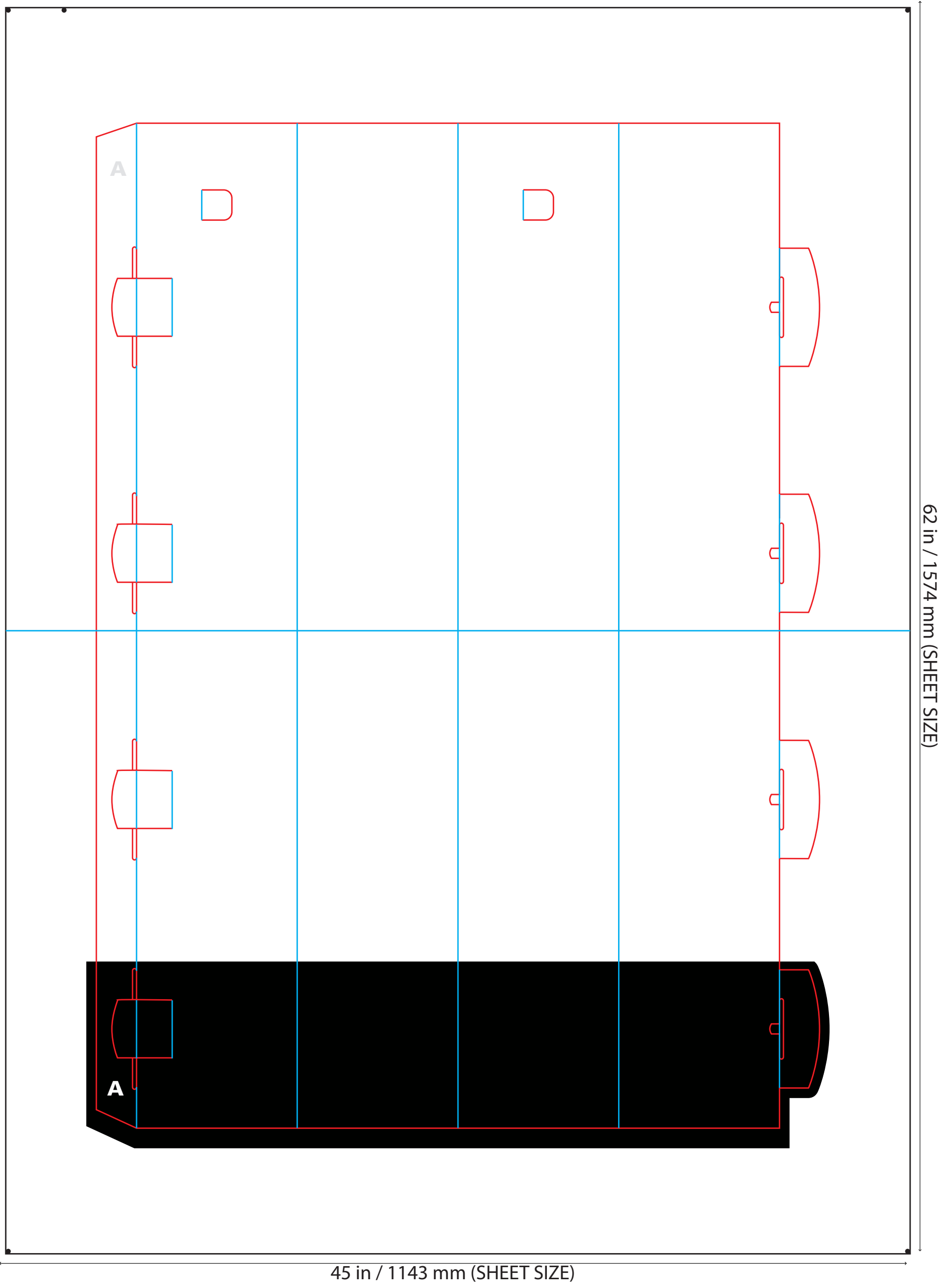
COMPONENT G



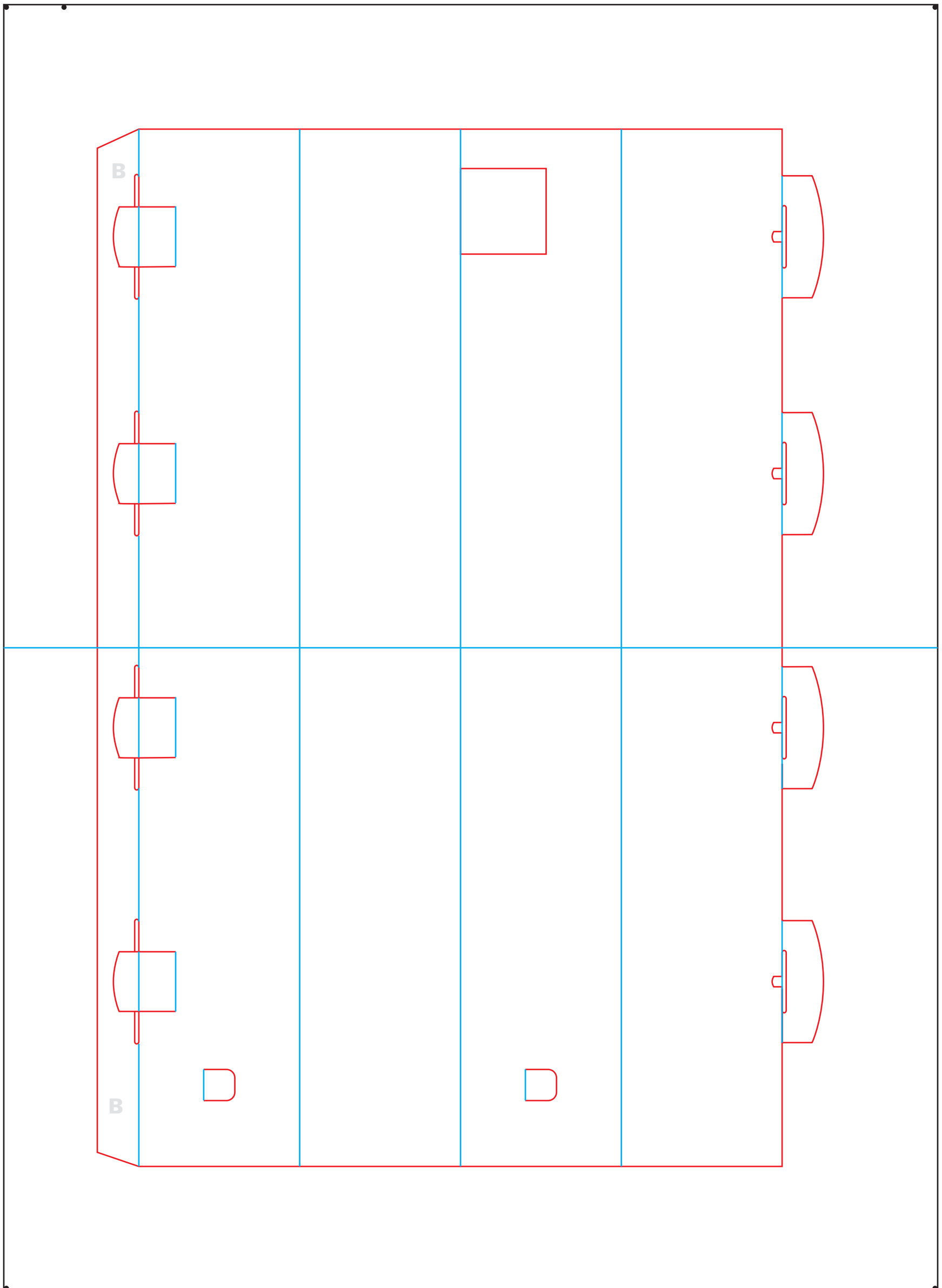
- COMPONENTS INCLUDED:**
- Qty 1 A) Lower Post Left
 - Qty 1 B) Upper Post Left
 - Qty 1 C) Lower Post Right
 - Qty 1 D) Upper Post Right
 - Qty 1 E) Beam
 - Qty 1 F) Sign
 - Qty 6 G) Clear Plastic Plugs

13943165 Red Curtain Cardboard Arch				
Component 00000000	Revised 03/02/20	© 8/9/19	Heather	8 Pages
MATERIALS: "B" Flute corrugated cardboard (3.2mm thick) Includes Instructions: 90g weight pure white uncoated paper.			PROCESS COLOR CMYK	
SPECIAL INSTRUCTIONS See artwork for measurements. • Item to be coated. • Colors to be bright, clean and vivid. • Kiss Cut lines shown are cut through the front of the piece and reinforced on the back with 0.3mm thick (minimum) strong adhesive brown tape (application must be smooth). • Artwork and registration must align correctly. Include excess material, customer will remove.				
DO NOT PRINT DIE LINES OR MEASUREMENTS. REFER TO PANTONE MATCHING SYSTEM® FOR EXACT COLORS.		DIE LINE	SCORE LINE	KISS CUT
© ALL ARTWORK COPYRIGHT OF OTC. ALL CONCEPTS ARE CONFIDENTIAL AND TO BE USED EXCLUSIVELY FOR OTC.			Oriental Trading Company, Inc.	

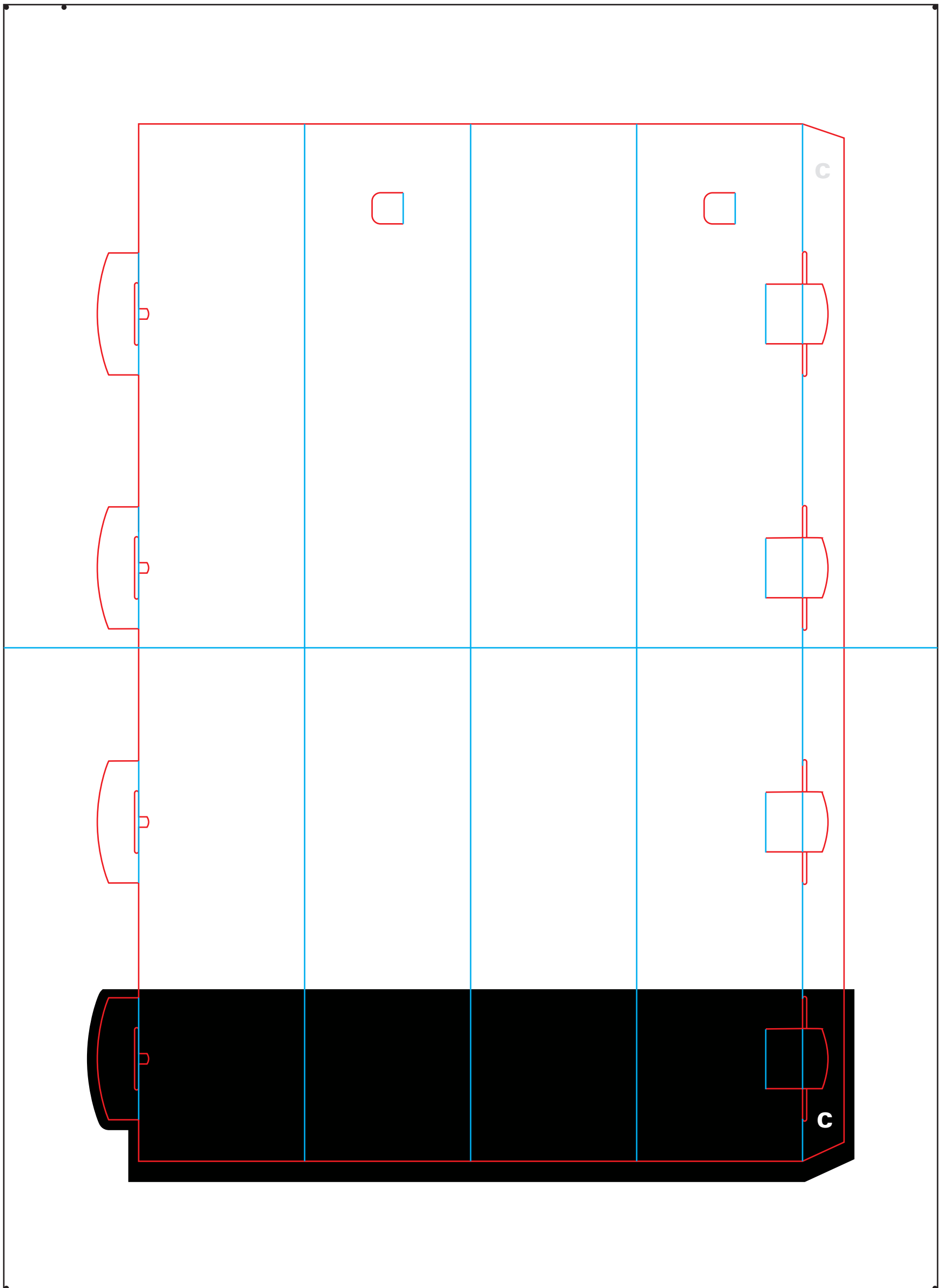
SHEET 1



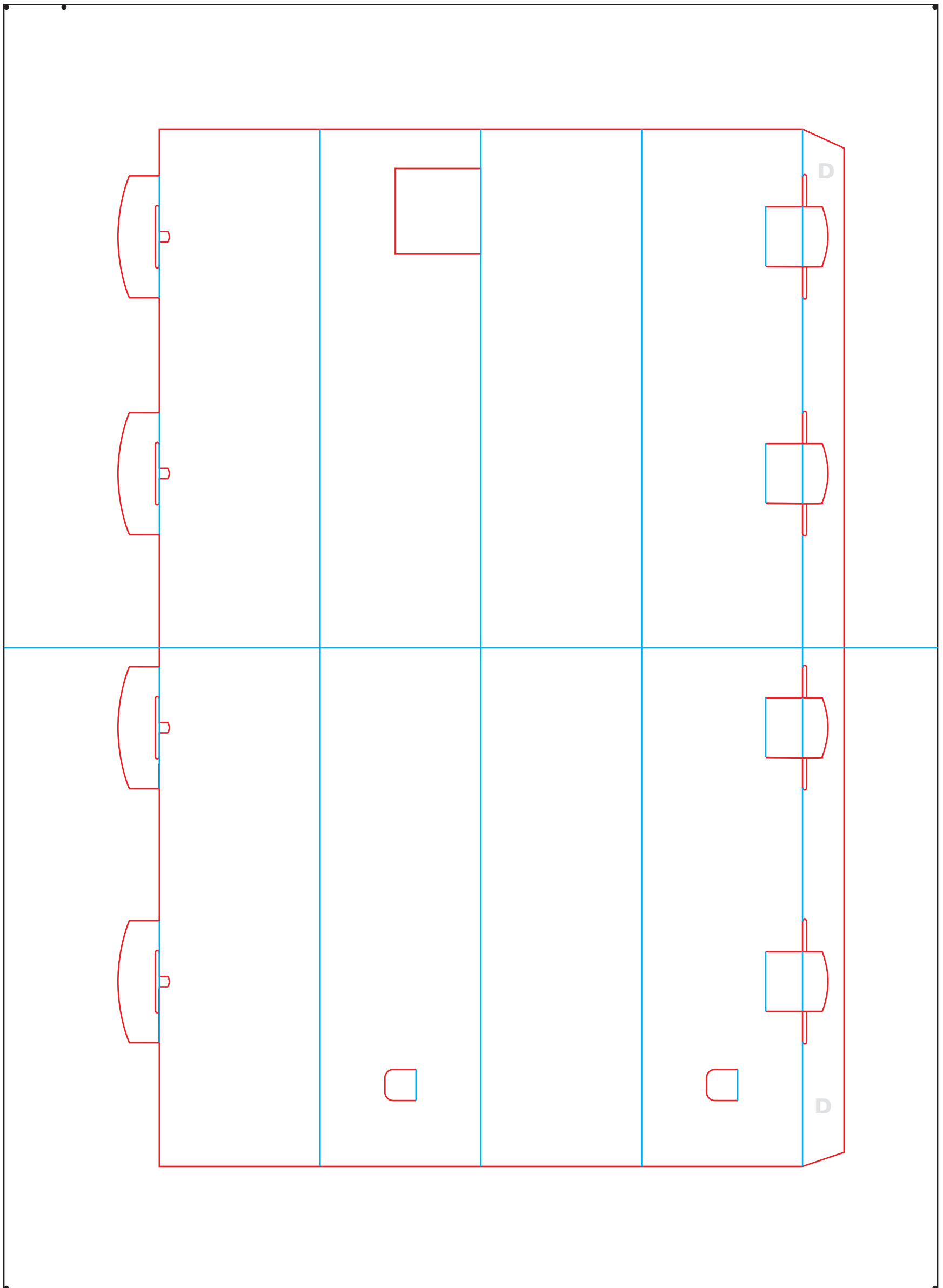
SHEET 2



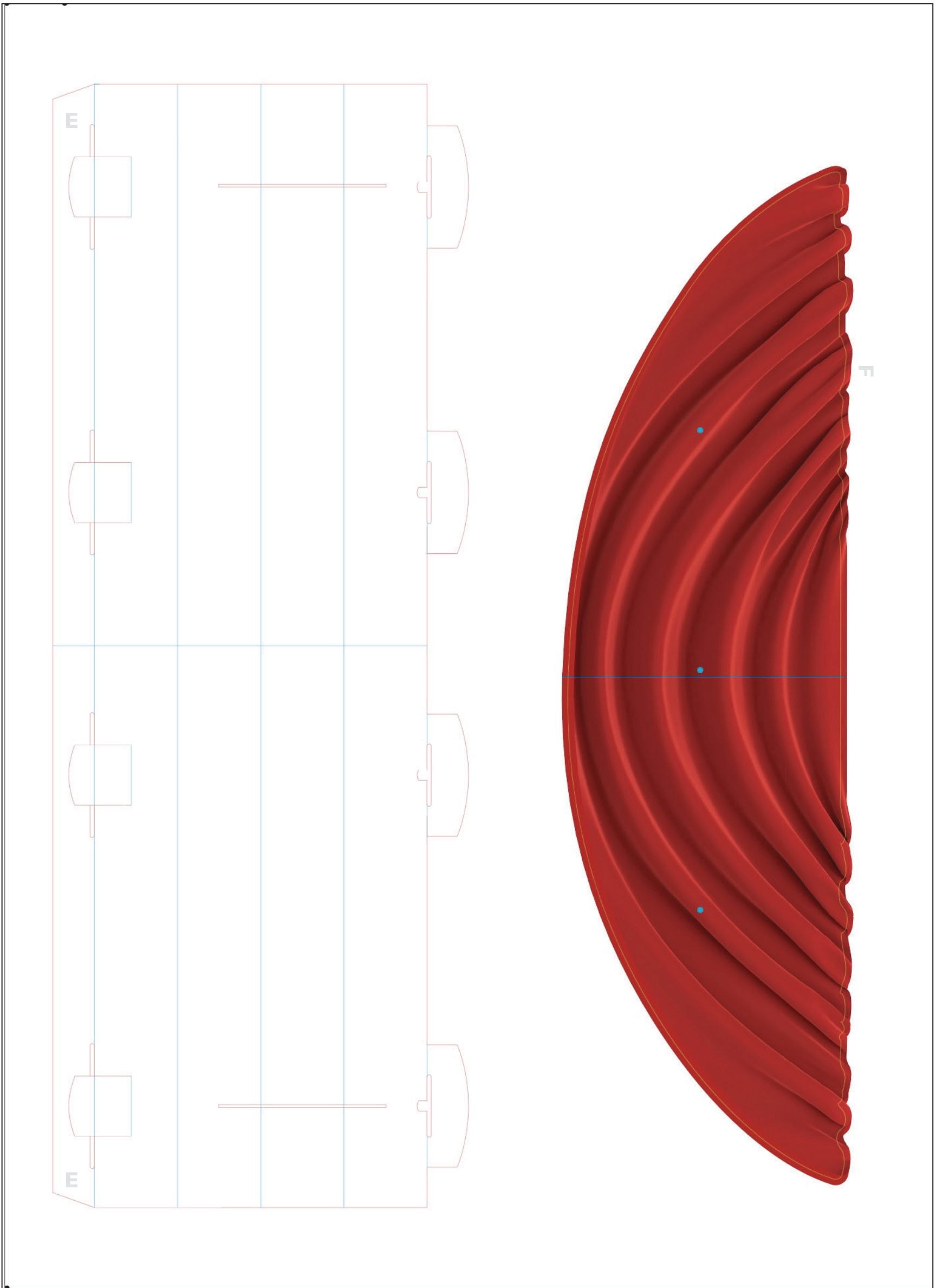
SHEET 3



SHEET 4



SHEET 5



SHEET 6



72 in / 1828.8 mm (SHEET SIZE)

45 in / 1143 mm (SHEET SIZE)

SHEET 7



45 in / 1143 mm (SHEET SIZE)

72 in / 1828.8 mm (SHEET SIZE)

13943165 Red Curtain Cardboard Arch Instructions

©2019 Oriental Trading Company, Inc.
 OrientalTrading.com (800) 228-2269

COMPONENTS LIST

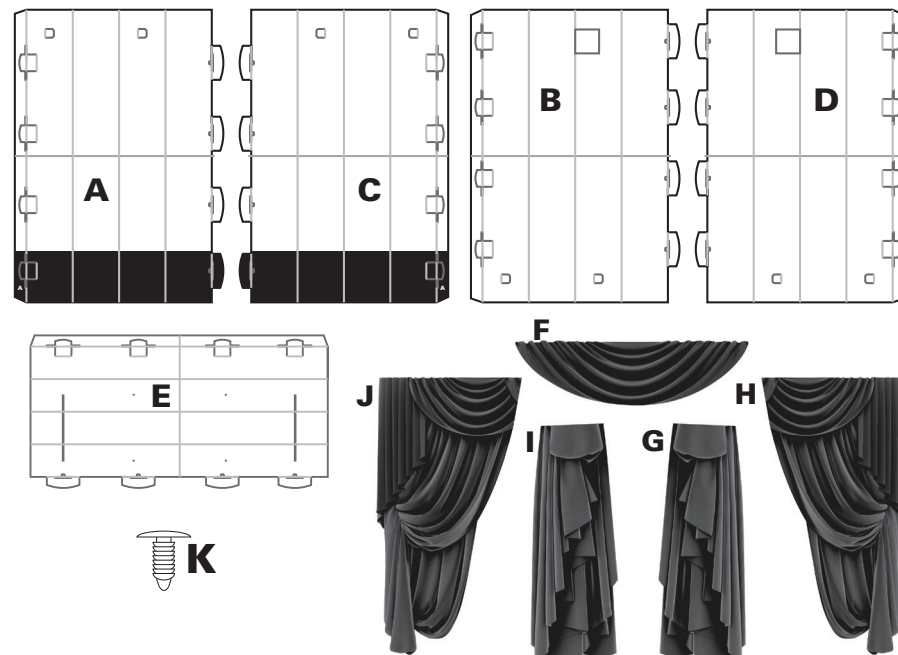
- QTY. 1 A) BOTTOM POST LEFT
- QTY. 1 B) TOP POST LEFT
- QTY. 1 C) BOTTOM POST RIGHT
- QTY. 1 D) TOP POST RIGHT
- QTY. 1 E) BEAM
- QTY. 1 F) CENTER SWAG
- QTY. 1 G) LOWER RIGHT CURTAIN
- QTY. 1 H) UPPER RIGHT CURTAIN
- QTY. 1 I) LOWER LEFT CURTAIN
- QTY. 1 J) UPPER LEFT CURTAIN
- QTY. 8 K) PLASTIC PLUGS

BEFORE YOU BEGIN ASSEMBLY:

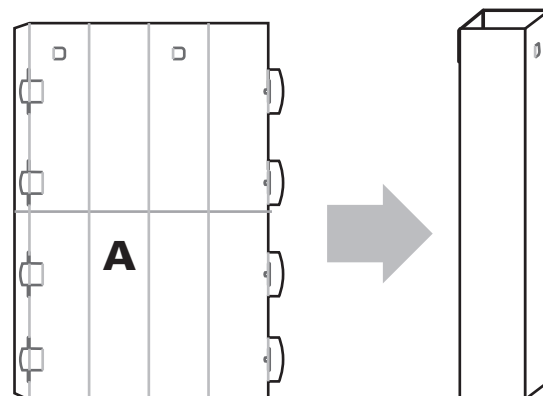
- Check that all materials are included in your kit.
- Please read through the instructions before you begin assembly.
- Make sure that your work area is spacious enough to assemble the item.
- Assembly time should be about 30 minutes for two people.

HELPFUL TIPS:

- When folding the pieces make sure the print is facing outward.
- Follow the diagram below to insert and close the tab openings.



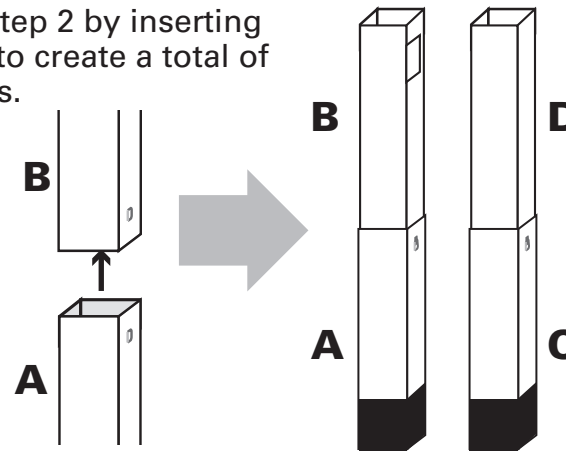
STEP 1:
 Fold pieces A through D along the score lines and form into a square tube. Secure the tabs.



STEP 2:

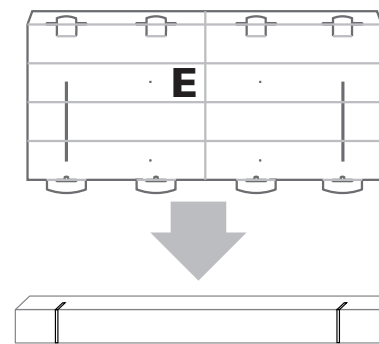
Slide B into A to make one post, lining up the seams and the square side tabs. Press the side tabs inward to secure the post together.

Repeat Step 2 by inserting D into C to create a total of two posts.



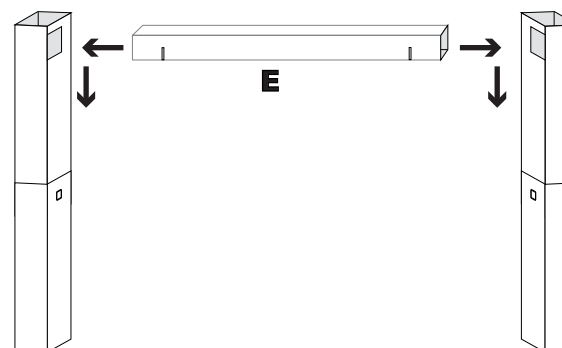
STEP 3:

Fold E along the score lines and form a square tube. Secure the tabs together.



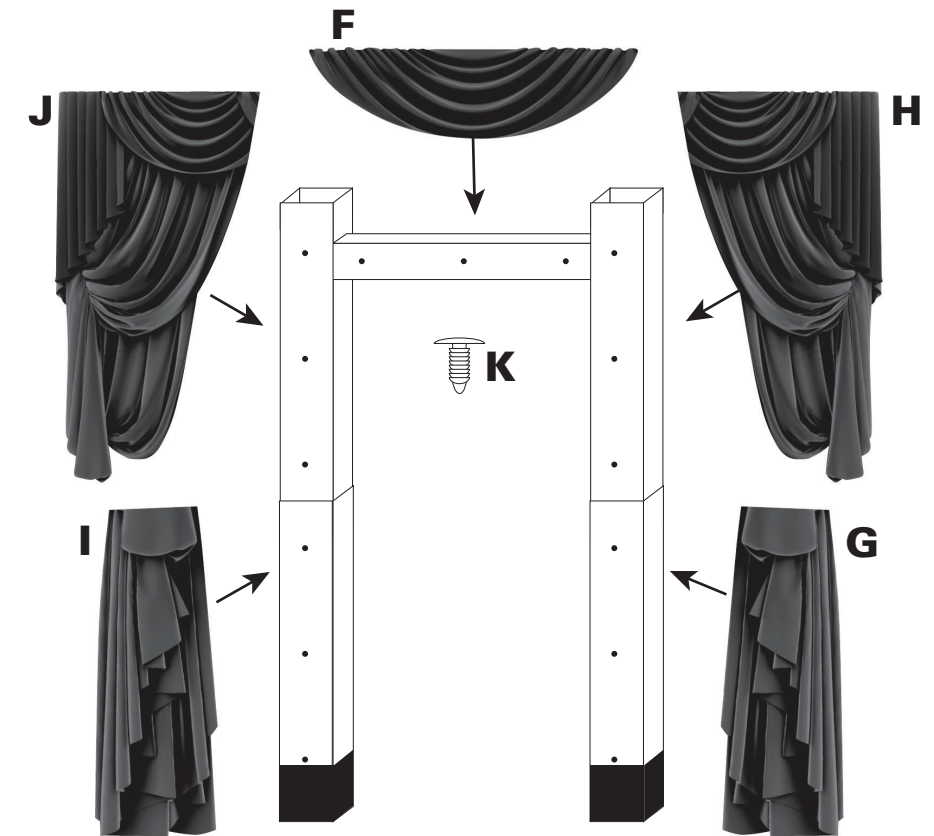
STEP 4:

Take E and with the slits facing downward, insert E into the square holes on the side of each post to create a frame. Once inserted press downward to secure the beam into place.



STEP 5:

Using the Plastic Plugs (K) attach the curtain sections (F, G, H, I, J) to the archway frame where shown. Attach bottom sections first and work up layering on top.



Your archway is finished!

Have fun with your new arch!

Use it as a display piece or as part of a scene.



WARNING!!!
 THIS STAND-UP IS NOT CAPABLE OF SUSTAINING HEAVY WEIGHTS.