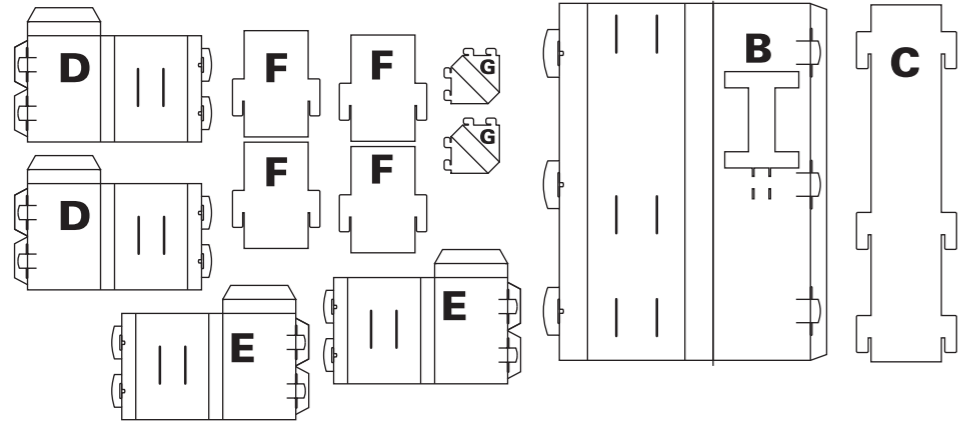


# 13941976 Construction VBS I-Beam Cross Stand Up Instructions

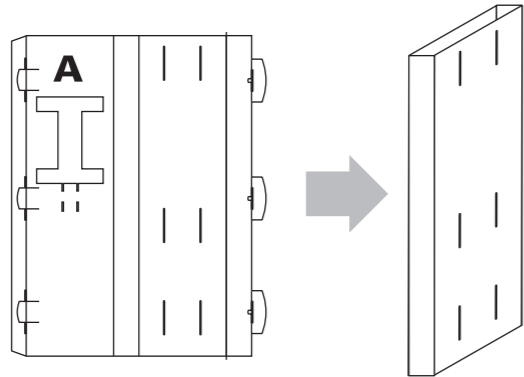
©2019 Oriental Trading Company, Inc.  
 OrientalTrading.com (800) 228-2269

## COMPONENTS INCLUDED:

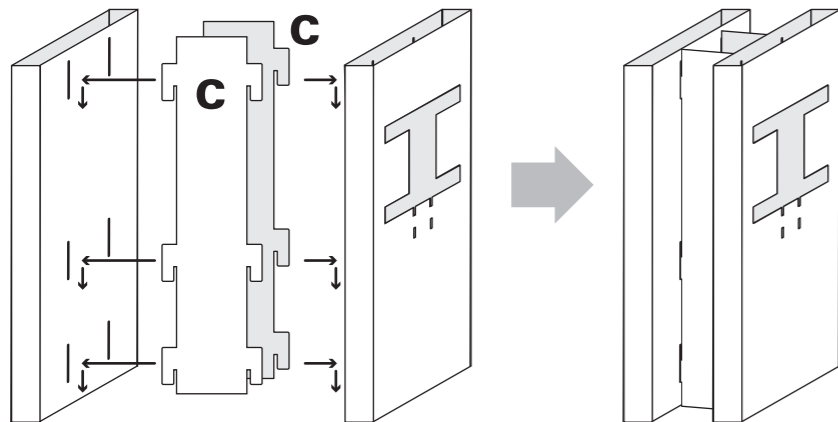
- Qty 1 A) Post Left
- Qty 1 B) Post Right
- Qty 2 C) Tall Center Sheet
- Qty 2 D) Beam Left
- Qty 2 E) Beam Right
- Qty 4 F) Small Center Sheet
- Qty 2 G) Beam Brace



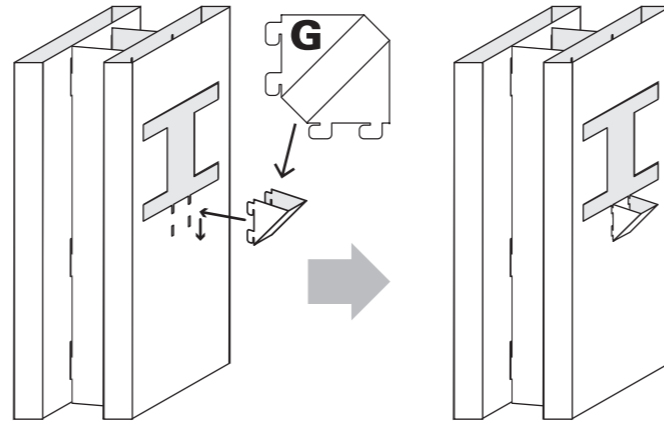
**STEP 1:**  
 Fold pieces A and B along the score lines and form into a rectangle box. Secure the tabs.



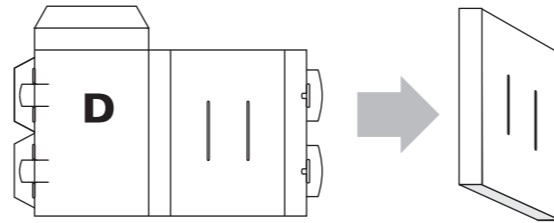
**STEP 2:**  
 Insert C into the slots.



**STEP 3:**  
 Insert G into the slots.  
 Repeat on opposite side.

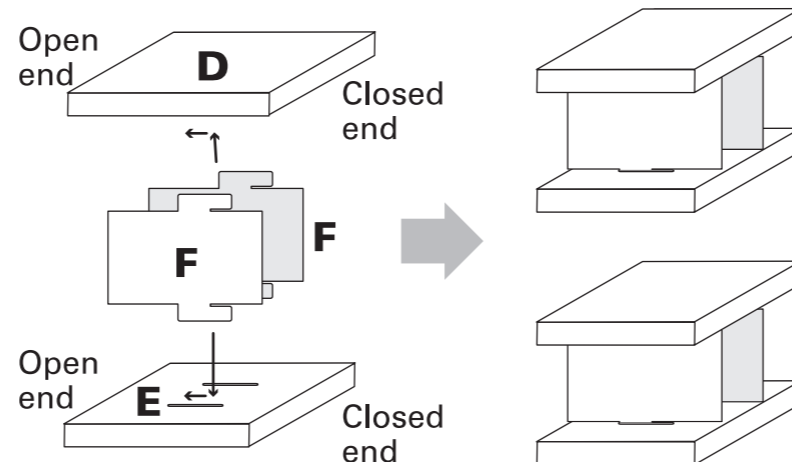


**STEP 4:**  
 Fold pieces D and E along the score lines and form into a rectangle box. Secure the tabs.

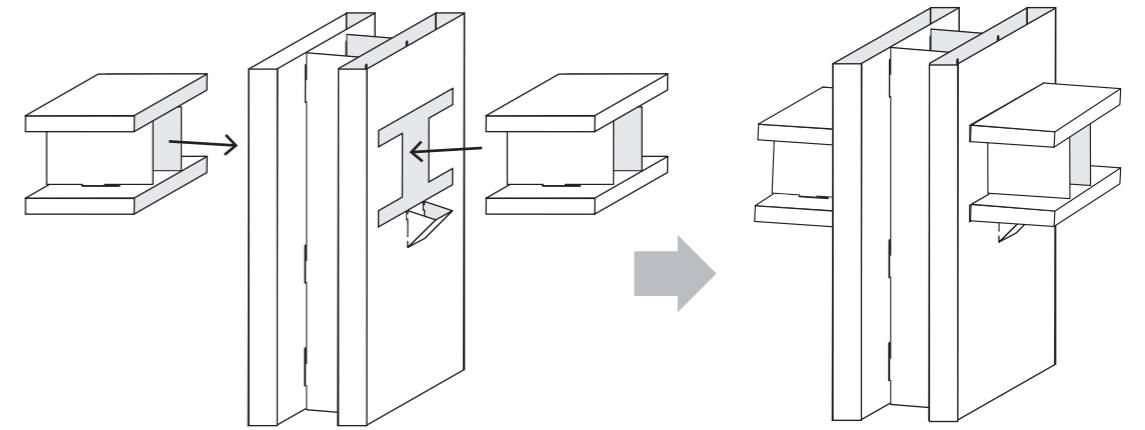


**STEP 5:**  
 Insert and slide two F pieces into the slots on pieces D and E. Make sure printed sides stay facing the outside.

Creates two small beams.



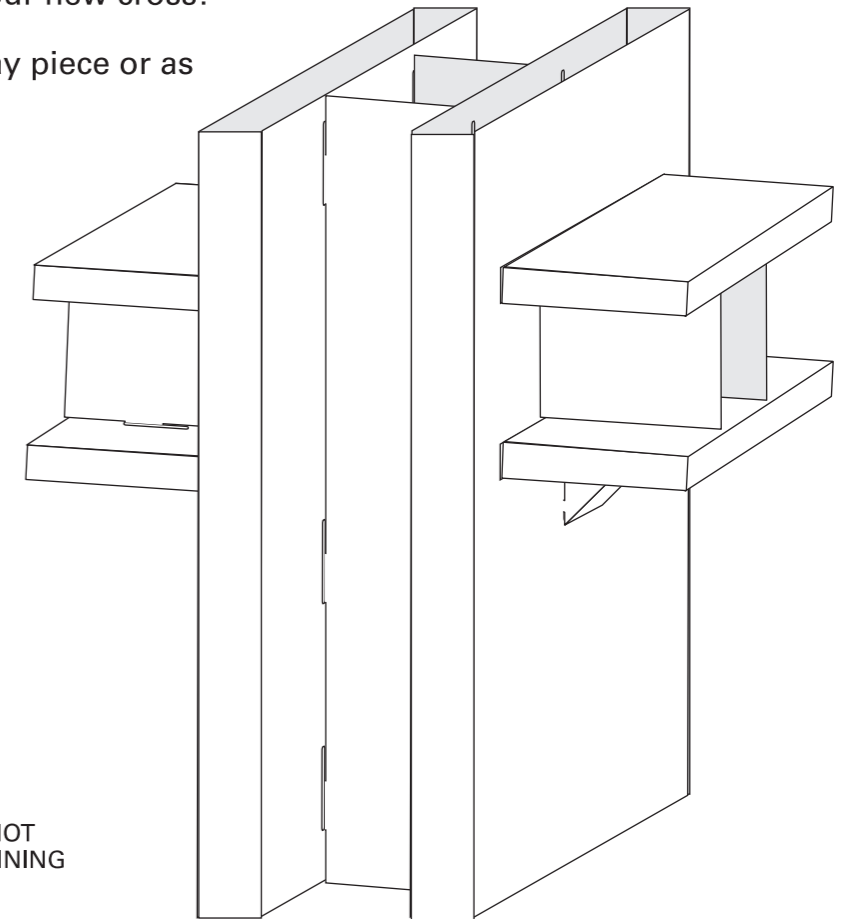
**STEP 6:**  
 Insert small beams into the side.  
 Repeat on opposite side.



## Your I-Beam Cross Stand Up is finished!

Have fun with your new cross!

Use it as a display piece or as part of a scene.



**WARNING!!!**  
 THIS STAND-UP IS NOT  
 CAPABLE OF SUSTAINING  
 HEAVY WEIGHTS.