

13910593 Christmas Candy Fence Instructions

©2019 Oriental Trading Company, Inc.

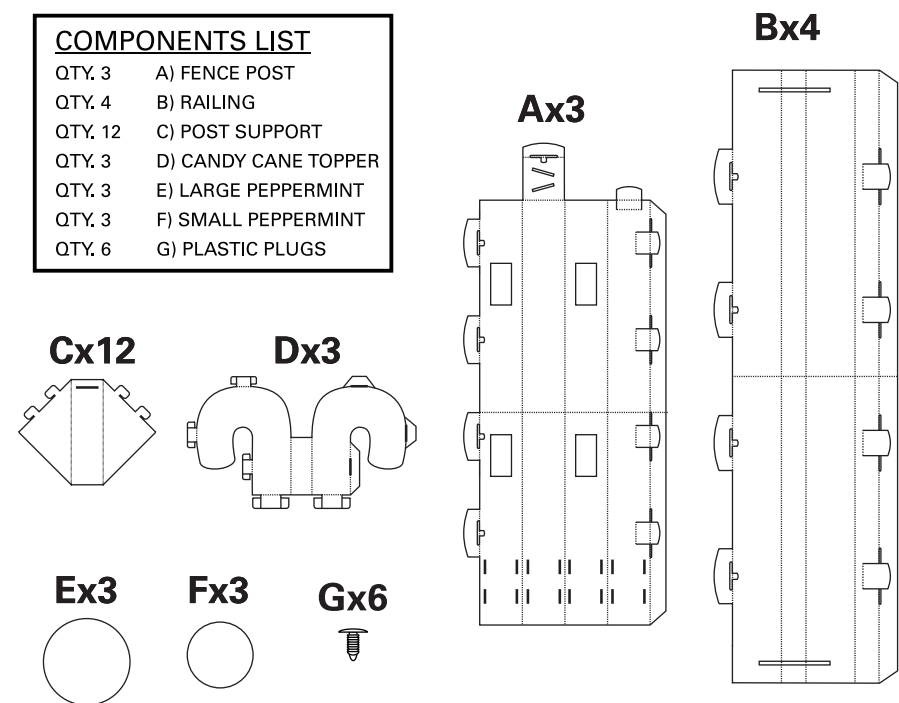
OrientalTrading.com (800) 875-8480

BEFORE YOU BEGIN ASSEMBLY:

- Check that all materials are included in your kit.
- Please read through the instructions before you begin assembly.
- Make sure that your work area is spacious enough to assemble the item.
- Assembly time should be about 20 minutes for two people.

COMPONENTS LIST

QTY. 3	A) FENCE POST
QTY. 4	B) RAILING
QTY. 12	C) POST SUPPORT
QTY. 3	D) CANDY CANE TOPPER
QTY. 3	E) LARGE PEPPERMINT
QTY. 3	F) SMALL PEPPERMINT
QTY. 6	G) PLASTIC PLUGS



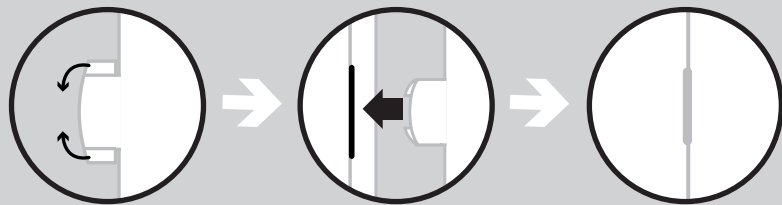
HELPFUL TIPS:

- When folding the pieces make sure the print is facing outward.
- Follow the diagram below to insert and close the tab openings.



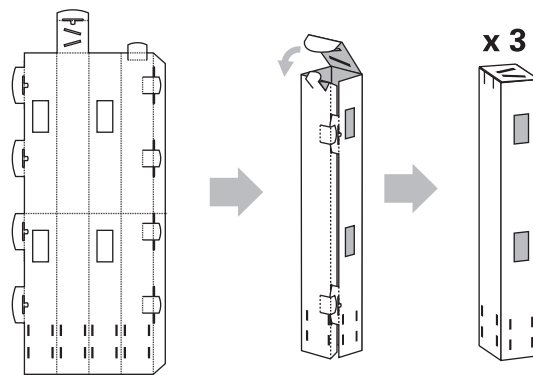
HELPFUL TIPS:

- When folding the pieces make sure the print is facing the same direction.
- Follow the diagrams below to insert the tabs into the tab openings.



STEP 1:

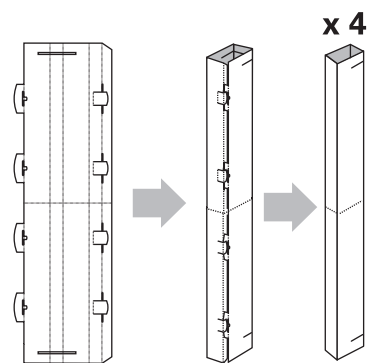
Fold each Fence Post (A) into a box shape and secure the side and top tabs.



Repeat to make a total of three Fence Posts.

STEP 2:

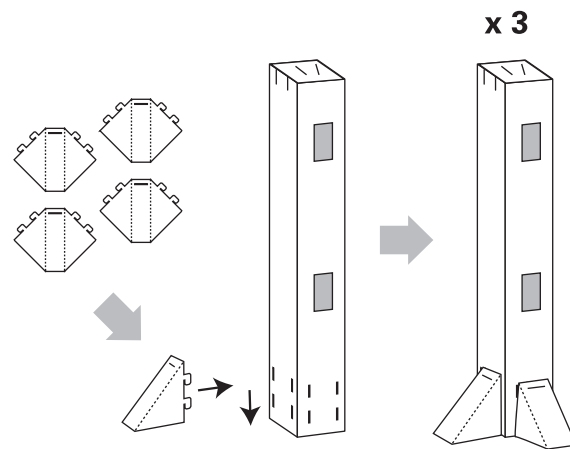
Fold each Railing (B) into a box shape and secure the side tabs.



Repeat to make a total of four Railing Pieces.

STEP 3:

Fold four Post Supports (C) along the score lines to form a triangular box shapes and insert them into the slit openings at the base of the Fence Post (A). Press downward to lock into place.

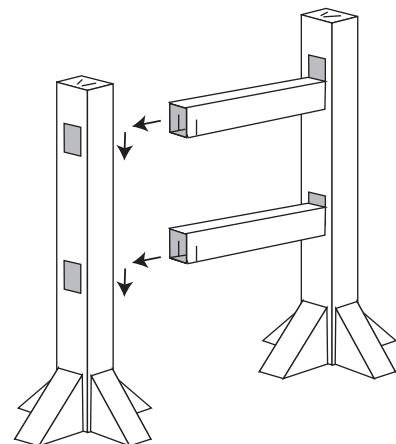


Repeat for the remaining Post Supports (C) and Fence Posts (A).

STEP 4:

Place two Fence Posts (A) side by side, making sure the “\” slits on the top are facing the same direction. Insert the Railings (B) as shown, pressing downward to lock them into place to create one section of the fence.

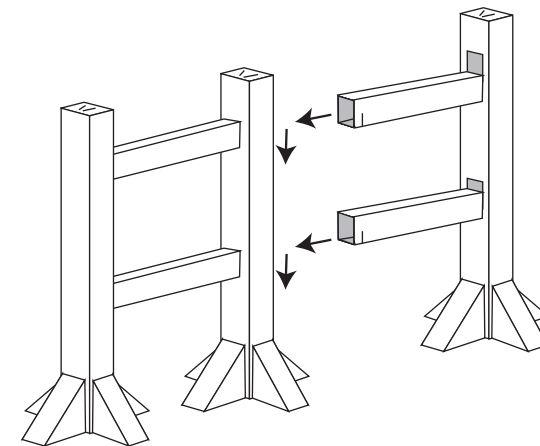
Top View of Posts



STEP 5:

Repeat Step 4 to add the last Fence Post (A) and Railings (B). Make sure the “\” slits on the top are facing the same direction before inserting the Railings (B).

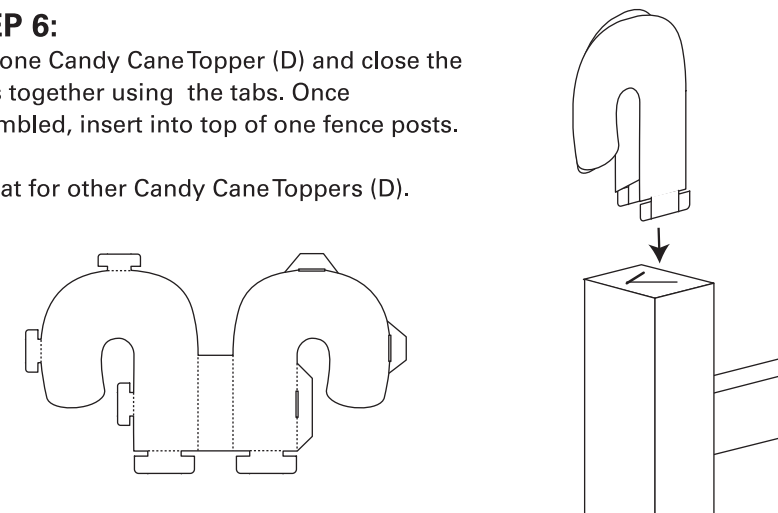
Top View of Posts



STEP 6:

Fold one Candy Cane Topper (D) and close the sides together using the tabs. Once assembled, insert into top of one fence posts.

Repeat for other Candy Cane Toppers (D).



Step 7:

Using the Plastic Plugs (G) attach the peppermints (E and F) onto the fence where desired.

Your Christmas Candy Fence is finished!

Have fun with your new fence! Use it as a display piece or as part of a scene.

WARNING!!!
THE FENCE IS NOT CAPABLE OF SUSTAINING HEAVY WEIGHTS OR FOR USE IN WEATHER.

