

13843508 Photo Booth Station Instructions

©2018 Oriental Trading Company, Inc.


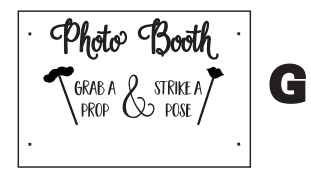
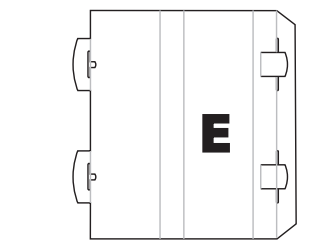
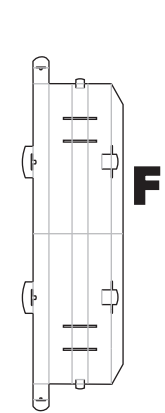
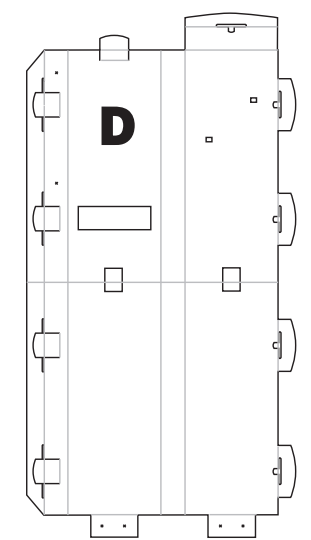
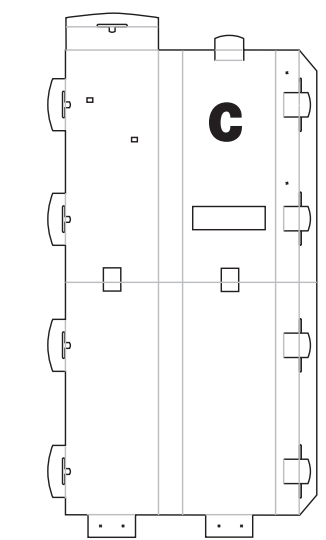
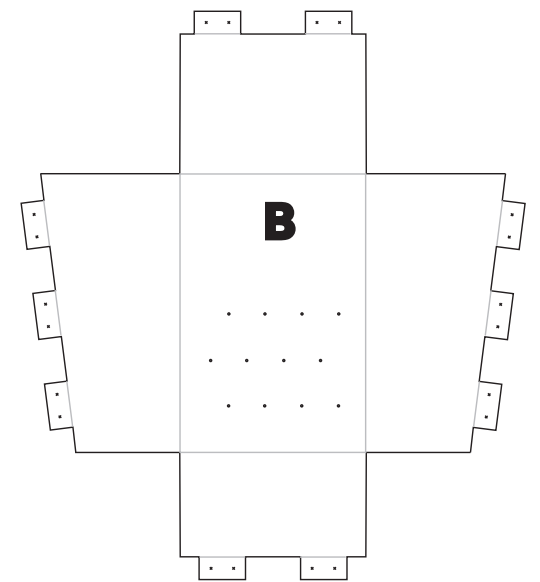
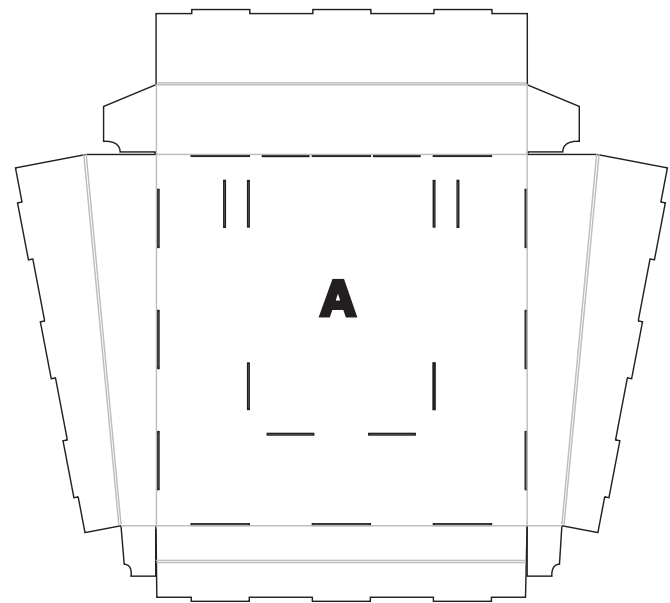
OrientalTrading.com (800) 875-8480

- COMPONENTS INCLUDED**
- COMPONENTS LIST
- QTY. 1 A) BASE BOX
 - QTY. 1 B) PROP STAND
 - QTY. 1 C) LEFT SUPPORT POST
 - QTY. 1 D) RIGHT SUPPORT POST
 - QTY. 1 E) SHELF
 - QTY. 1 F) HAT RACK
 - QTY. 1 G) SIGN
 - QTY. 32 H) PLASTIC PLUGS

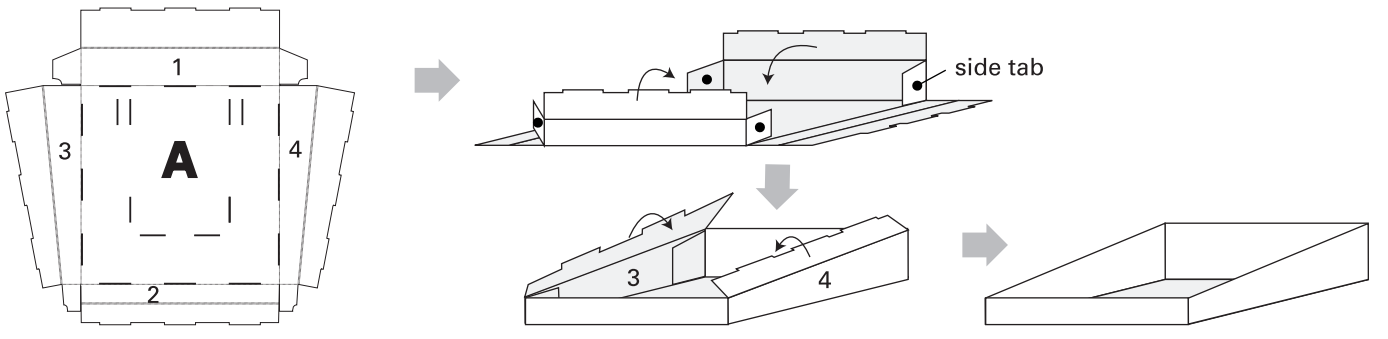
- BEFORE YOU BEGIN ASSEMBLY:**
- Check that all materials are included in your kit.
 - Please read through the instructions before you begin assembly.
 - Make sure that your work area is spacious enough to assemble the item.
 - Assembly time should be about 30 minutes for two people.

HELPFUL TIPS:

- When folding the pieces make sure the print is facing outward.
- Follow the diagram below to insert and close the tab openings.

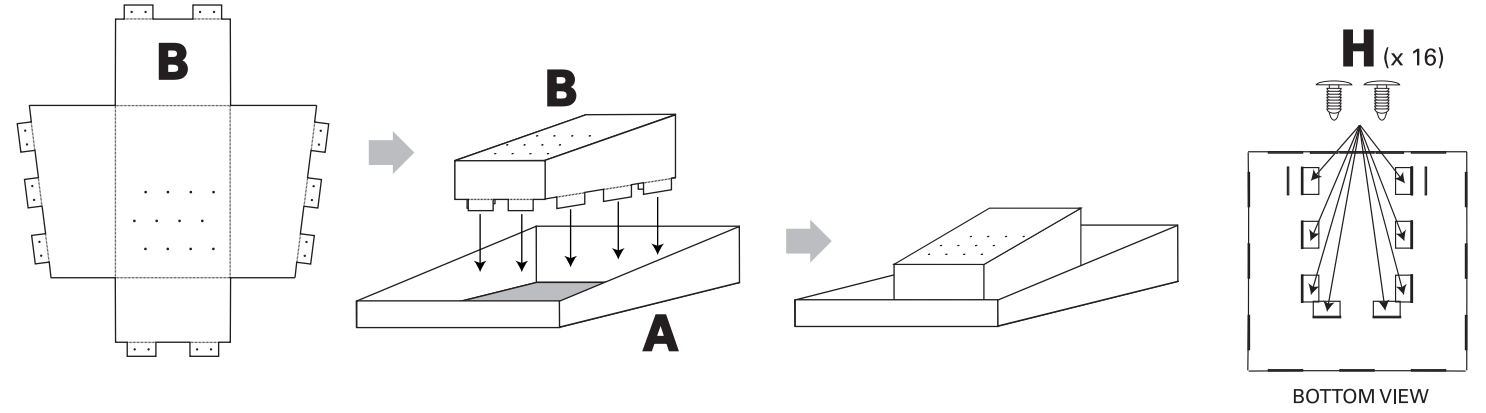
STEP 1:
To create the base, fold sides 1 and 2 up and over and secure in place with notches.



Fold in the side tabs.

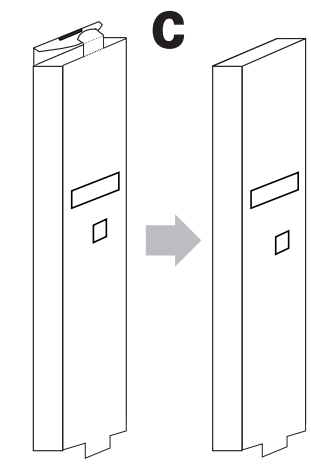
Fold sides 3 and 4 up and over the side tabs and secure into place.

STEP 2:
Form a box shape with B and insert the tabs into the openings on the bottom of A. Make sure the side with the holes goes toward the front.



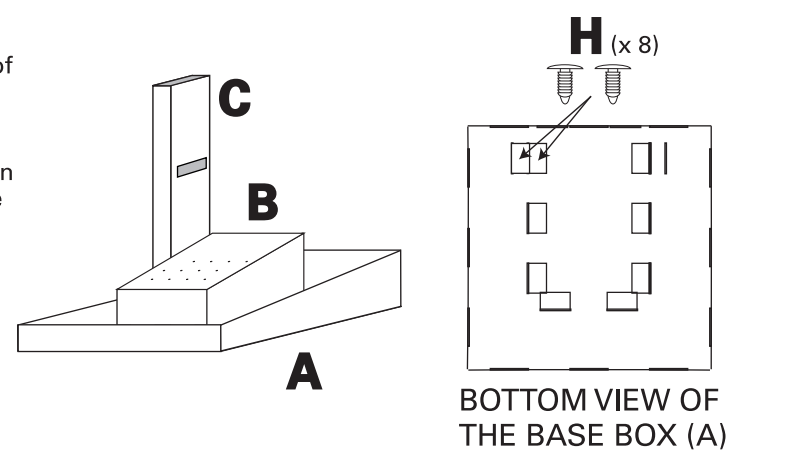
Fold the tabs inward on the bottom and secure each tab in place with two plugs (H).

STEP 3:
Fold C into an oblong post shape and secure closed with tabs. Close the top using the tab.



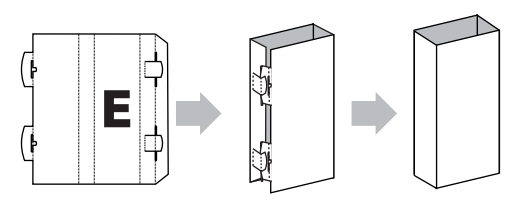
STEP 4:
Insert to bottom tabs of C into the slits on the base of A next to B.

Fold the tabs inward on the bottom and secure each tab in place with two plugs (H).

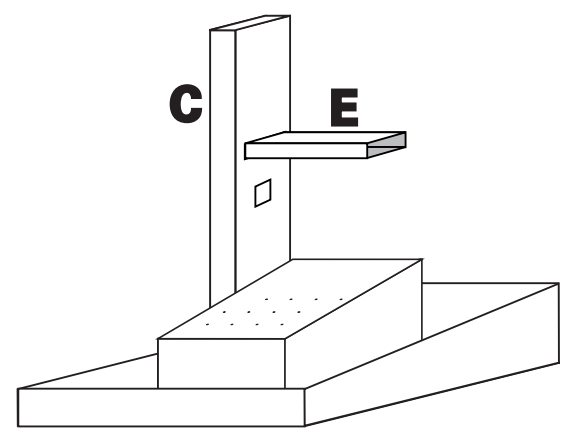


HELPFUL HINT:
Reuse the H plug that was used to secure B for the inside tab.

STEP 5:
Fold E to form a long box shape and secure the box shape by inserting the tabs.



STEP 6:
Insert E into the opening on C.



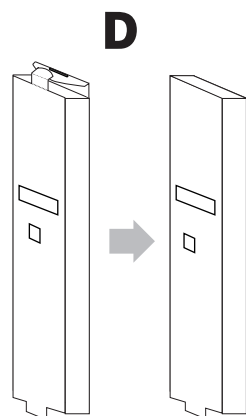
13843508 Photo Booth Station Instructions

©2018 Oriental Trading Company, Inc.

OrientalTrading.com (800) 875-8480

STEP 7:

Fold D into an oblong post shape and secure closed with tabs. Close the top using the tab.

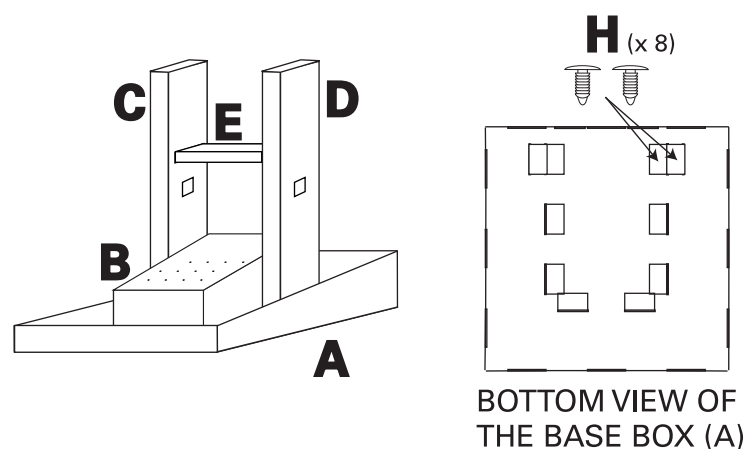


STEP 8:

Insert the bottom tabs of D into the slits on the base of A next to B. Make sure to insert E into the hole on D to create a shelf.

Fold the tabs inward on the bottom and secure each tab in place with two plugs (H).

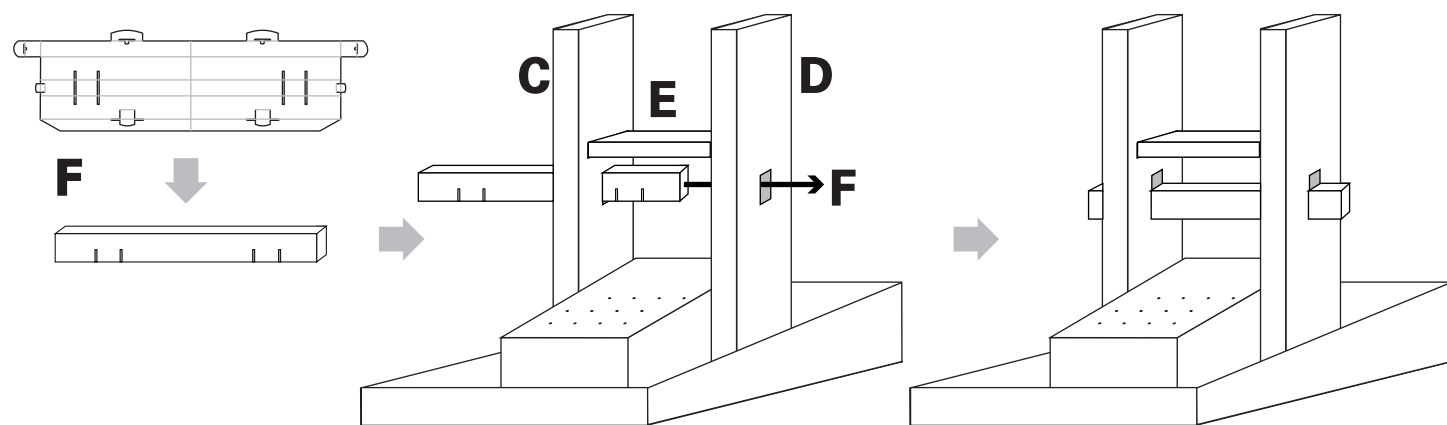
HELPFUL HINT:
Reuse the H plug that was used to secure B for the inside tab.



STEP 9:

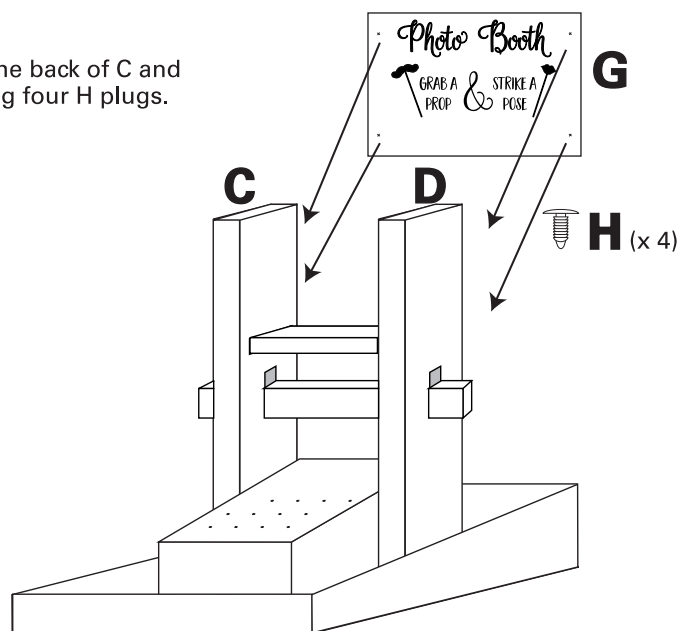
Fold F to form a long box shape. Secure the shape by using the tabs and closing the ends.

With the slits facing downward, insert F through C and D. Align the slits with C and D and push down to secure F into place.



STEP 10:

Place G against the back of C and D and attach using four H plugs.



Your Photo Booth Prop Station is finished!

Have fun with your new Prop station!
Hang hats and sunglasses on the sides.
Fill with fun props!

WARNING!!!
THE STATION IS NOT CAPABLE OF
SUSTAINING HEAVY WEIGHTS.

