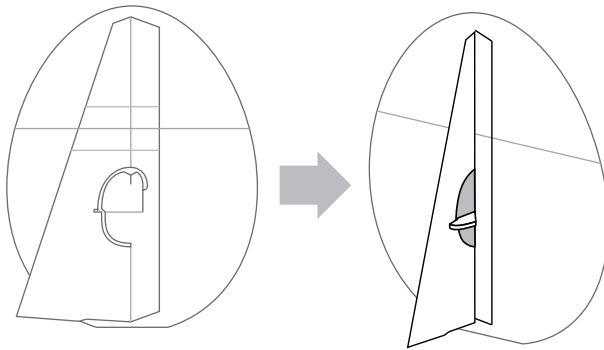
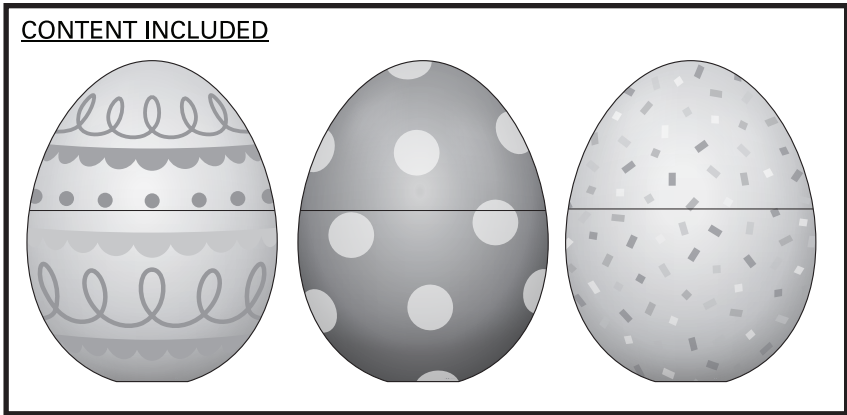


13822139 Easter Eggs Stand-Up Instructions

©2018 Oriental Trading Company, Inc.
OrientalTrading.com 800-875-8480



Simple Assembly Required:

1. Fold out the support stand on the back of each piece.
2. Fold down the cardboard notch to lock the stand into place.

Fun Party Tips

1. Place the Stand-Up near an entry or a buffet table to draw attention to the festivities.
2. Use as a photo prop! Supply a variety of fun novelty items for guests to use while taking pictures to remember all the fun!

Visit us on the web at OrientalTrading.com