

13657458 Big Top Terror Mouth Stand-Up Instructions

©2014 Oriental Trading Company, Inc.

OrientalTrading.com (800) 875-8480

COMPONENTS INCLUDED

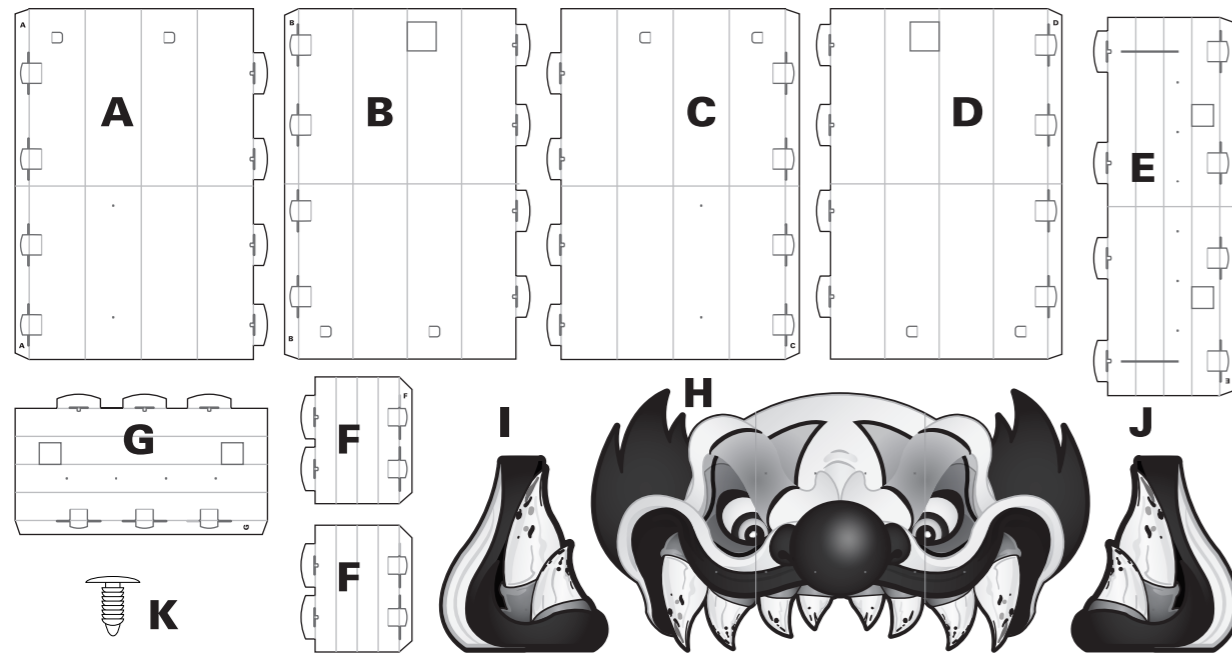
- Qty 1 A) Lower Post Left
- Qty 1 B) Upper Post Left
- Qty 1 C) Lower Post Right
- Qty 1 D) Upper Post Right
- Qty 1 E) Beam
- Qty 2 F) Small Post
- Qty 1 G) Small Beam
- Qty 1 H) Face Sign
- Qty 1 I) Bottom Teeth Left
- Qty 1 J) Bottom Teeth Right
- Qty 16 K) Clear Plastic Plugs

BEFORE YOU BEGIN ASSEMBLY:

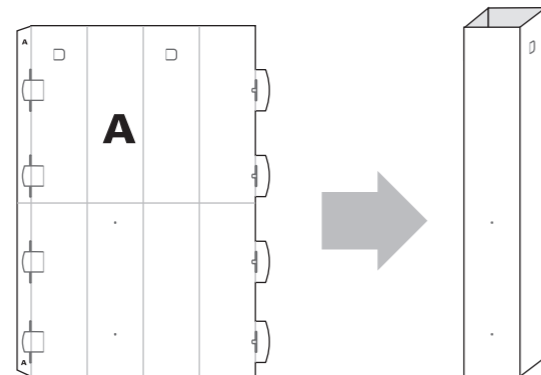
- Check that all materials are included in your kit.
- Please read through the instructions before you begin assembly.
- Make sure that your work area is spacious enough to assemble the item.
- Assembly time should be about 45 minutes for two people.

HELPFUL TIPS:

- When folding the pieces make sure the print is facing outward.
- Follow the diagram below to insert and close the tab openings.



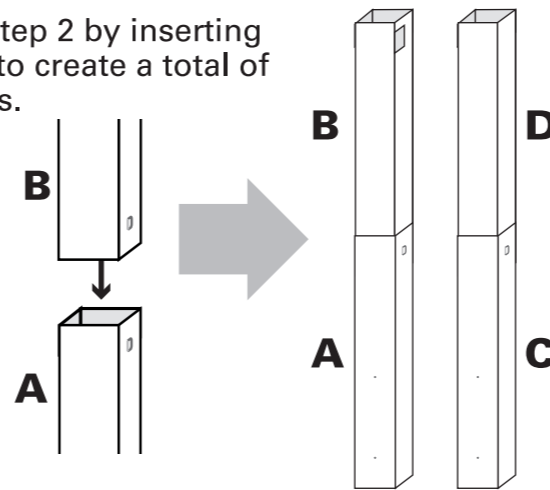
STEP 1:
Fold pieces A through D along the score lines and form into square tubes. Secure the tabs.



STEP 2:

Slide B into A to make one post, lining up the seams and the square side tabs. Press the side tabs inward to secure the post together.

Repeat Step 2 by inserting D into C to create a total of two posts.

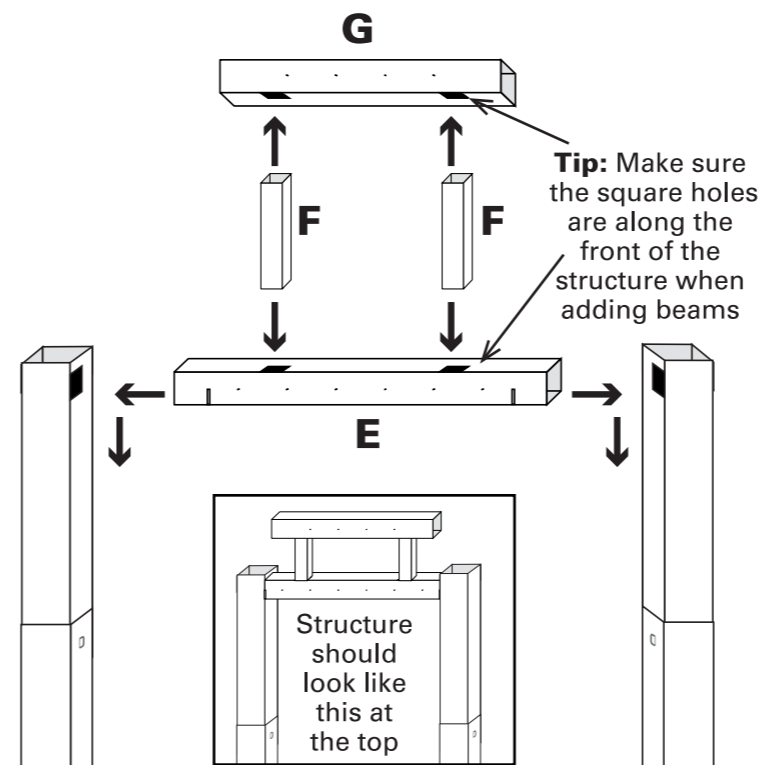


STEP 3:

Fold pieces E, F and G.

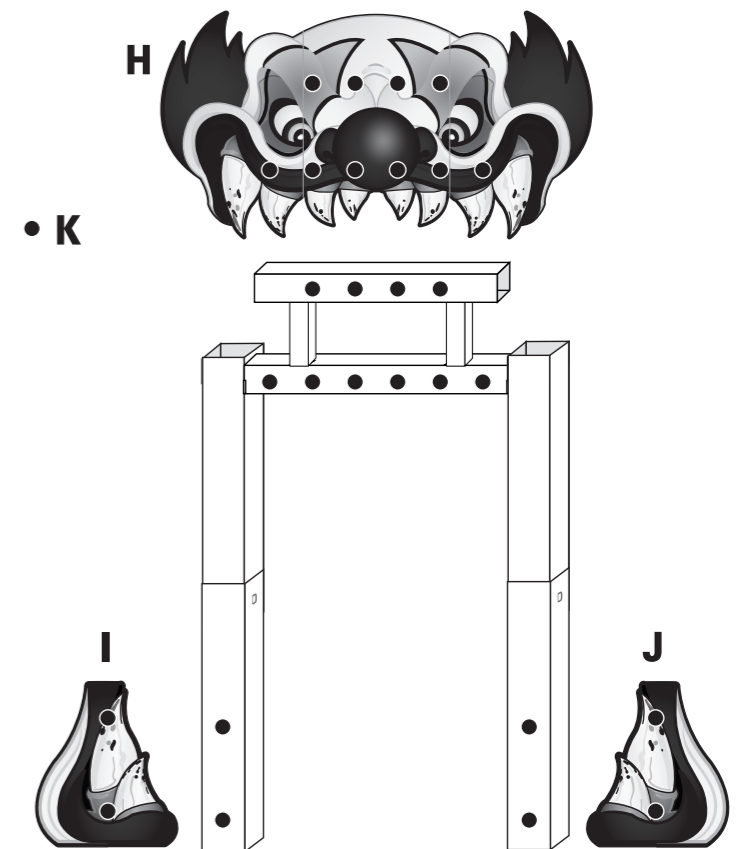
Take E and insert it into the square holes on each post. Once inserted press downward to secure the beam into place.

Insert both F pieces into G. Insert this structure into E as shown, making sure to hold onto the bottom of E to prevent bending.



STEP 5:

Using the Plastic Plugs (K) attach H, I and J to the archway frame where shown.



Your archway is finished!

Have fun with your new arch!

Use it as a display piece or as part of a scene.

WARNING!!!
THIS STAND-UP IS NOT CAPABLE OF SUSTAINING HEAVY WEIGHTS.

