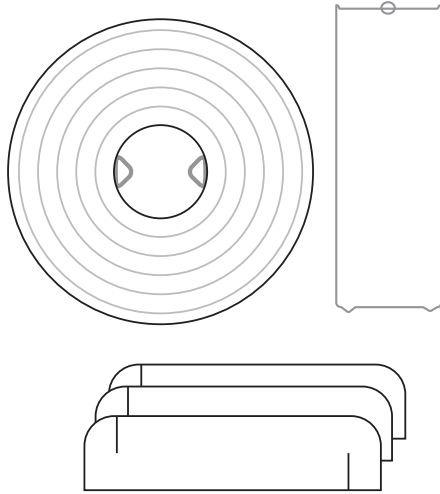


# Lantern Assembly Instructions

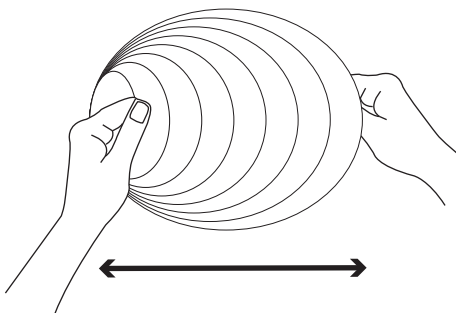
© 2016 Oriental Trading Company, Inc.  
OrientalTrading.com (800)228-2269

## TOTAL COMPONENTS LIST

QTY: 1 A) TISSUE FOOTBALL LANTERN  
QTY: 1 B) METAL FRAME  
QTY: 3 C) BASE

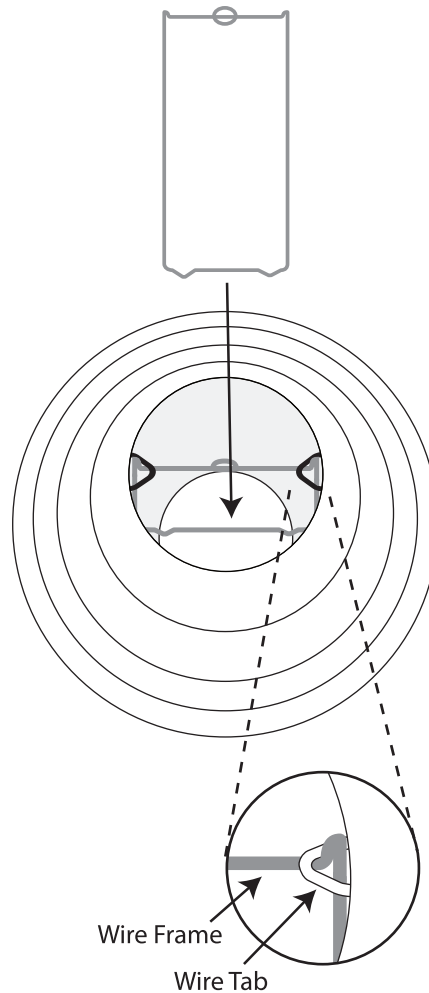


- 1.** Open the lantern by holding the wire at the top and the bottom and pulling gently.

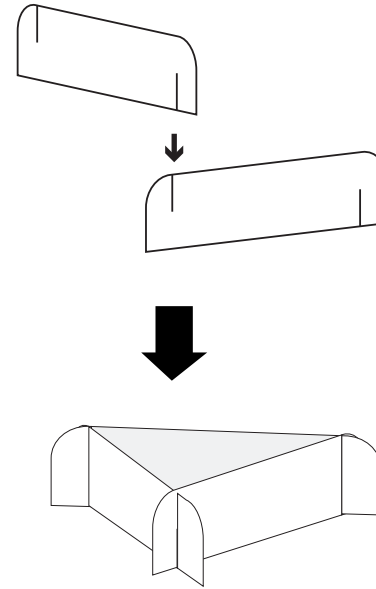


- 2.** To secure the lantern open, insert the wire frame into the bottom of the lantern and pull the lantern up over the wire frame. Insert the top of the wire frame into the wire tabs on the top of the lantern, being careful to avoid tearing.

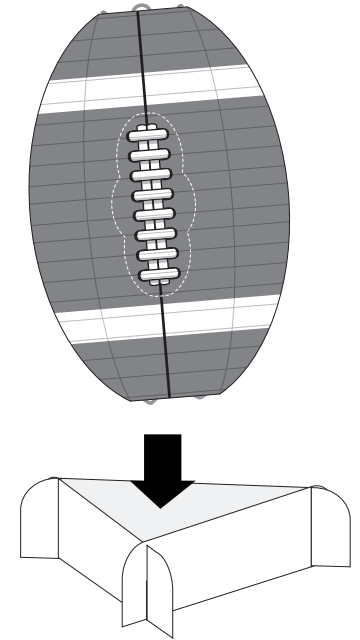
(Please note: the wire frame will bend slightly.)



- 3.** To make the triangle base, slide the pieces together as shown below.



- 4.** Rest the football lantern onto the base.



## Your centerpiece is now finished!

Decorate a table or counter with your new centerpiece however you would like!

Have fun!

