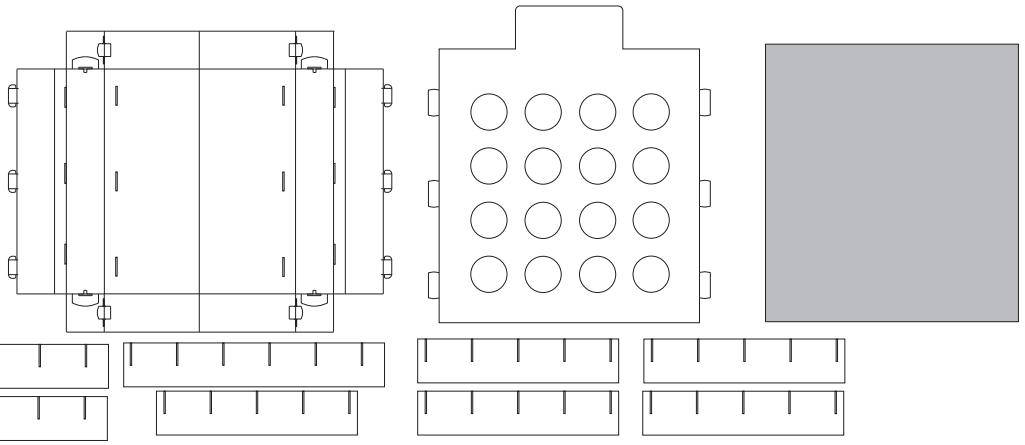


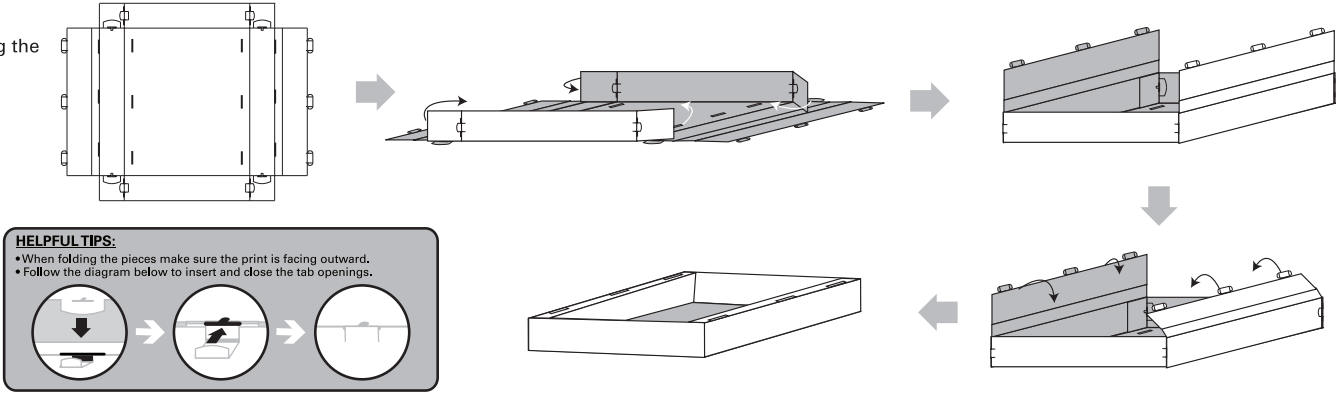
# Prize Punch Game Instructions

©2017 Oriental Trading Company, Inc.  
 OrientalTrading.com (800)-228-2269

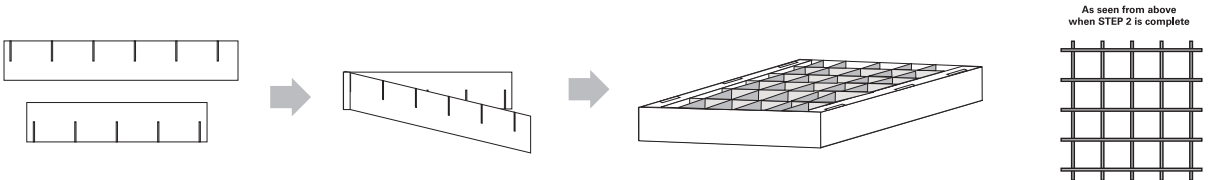
- COMPONENTS INCLUDED:**
- Qty: 1 Front
  - Qty: 1 Base
  - Qty: 5 Short inserts
  - Qty: 5 Long inserts
  - Qty: 20 20" x 30" tissue paper sheets



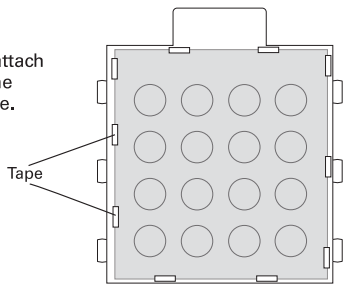
**STEP 1:**  
 Fold the Base box, using the images as a guide.



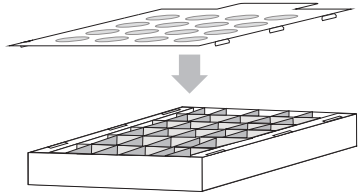
**STEP 2:**  
 Insert the Long Dividers into the Base box with the slits facing up. Insert the Short Dividers into the long dividers with the slits facing down to create dividing boxes inside the Base.



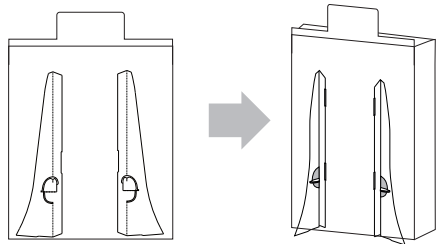
**STEP 3:**  
 Using tape (not included), attach 1 piece of tissue paper to the BACK side of the Front piece.



**STEP 4:**  
 Fill the slotted boxes in the base with your desired prizes!  
 With the printed side face up, place the Front over the base and insert the tabs.



**STEP 5:**  
 Fold out the support stands on the back. Fold down the cardboard notches to lock the stands into place.



## Your Prize Punch Game is FINISHED!

Have fun with your new game!  
 Reusable! Just remove the front and replace the tissue paper sheet. Refill your prizes, replace the front, and play again!

**Note:** You may need to place your game against a wall or have someone hold onto the base when punching through the holes to make sure it does not tip over.

